

HALOSPOT 48

Halogen spot lamps with 48 mm aluminum reflectors



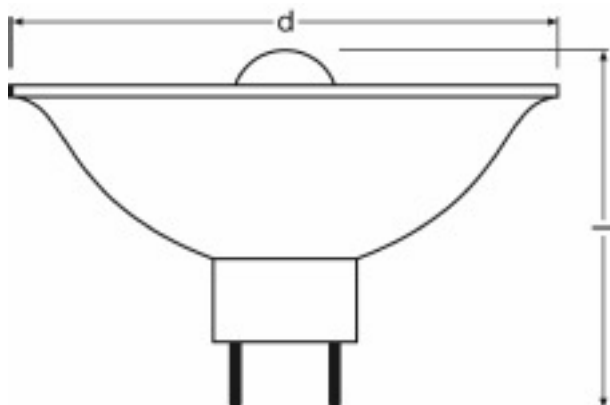
- General illumination
- Shops
- Restaurants, hotels and similar prestigious applications
- Offices, public buildings
- Marine lighting

Product benefits

- Brilliant accent light
- Cap for reduced glare and ease of handling
- Excellent distribution of light thanks to faceted reflector
- Approved for use in open luminaires (to IEC 60598-1)
- UV filter
- Drastically reduced thermal load in fixture thanks to aluminum-coated reflector
- Contains no mercury, can be thrown away with normal household waste

Product features

- 100 % dimmable
- Color rendering index R_a : 100
- Color temperature: 2,800 K
- Base: GY4



Product line drawing with letters
20 W 12 V 8° GY4



Base
20 W 12 V 8° GY4

Technical data

Product description	Base (standard designation)	Rated wattage	Luminous intensity	Beam angle	Nominal wattage	Nominal voltage
20 W 12 V 8° GY4	GY4	20 W	3100 cd	8 °	20 W	12 V
41930 SP 20W 24V GY4 FS1 OSRAM	GY4	20 W	3100 cd	8 °	20 W	24 V

Product description	Nominal voltage	Nominal lamp life time	Rated lamp life time	Rated color temperature	Rated color rendering index Ra	Rated starting time
20 W 12 V 8° GY4	12 V	2000 h	2000 h	2800 K	100	0.0 s
41930 SP 20W 24V GY4 FS1 OSRAM	24 V	1000 h	1000 h	2900 K	100	0.0 s

Product description	Rated starting time	Rated warm-up time (60 %)	Rated number of switching cycles	Rated lamp mercury content	Rated power factor λ	Overall length
20 W 12 V 8° GY4	0.0 s	0 s	1000000 ¹⁾	0.0 mg	1.00	36.0 mm
41930 SP 20W 24V GY4 FS1 OSRAM	0.0 s	0 s	1000000 ¹⁾	0.0 mg	1.00	36.0 mm

Product description	Overall length	Diameter	Dimmable	Burning position	ILCOS	Lumen main.fact.at end of nom.life time
20 W 12 V 8° GY4	36.0 mm	48.0 mm	Yes	Any	HMGS//UB-20-12-GY4-48/8	0.80



41930 SP 20W 24V GY4 FS1 OSRAM	36.0 mm	48.0 mm	Yes	Any	HMGS//UB-20-24-GY4-48/8	0.80
-----------------------------------	---------	---------	-----	-----	-------------------------	------

¹⁾ At 1 s on / 1 s off

Application advice

For more detailed application information and graphics please see product datasheet.

References / Links

For light distribution curves see

▶ www.osram.com

Disclaimer

Subject to change without notice. Errors and omission excepted. Always make sure to use the most recent release.