

OSRAM DULUX D



- Offices, public buildings
- Shops
- Hotels, restaurants
- Industrial lighting

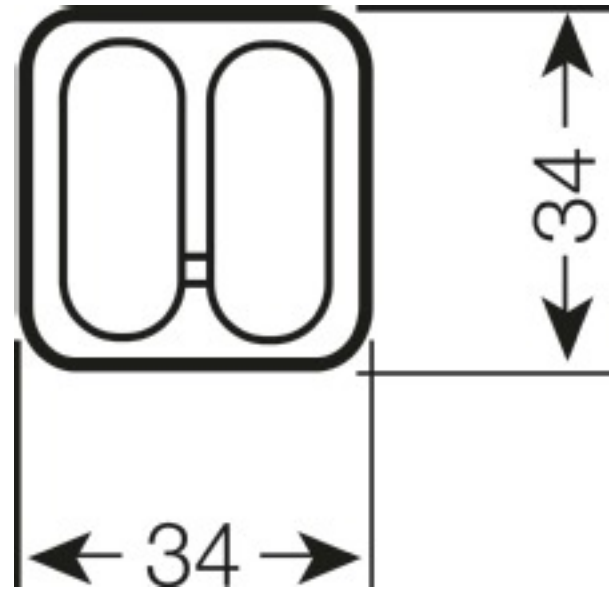
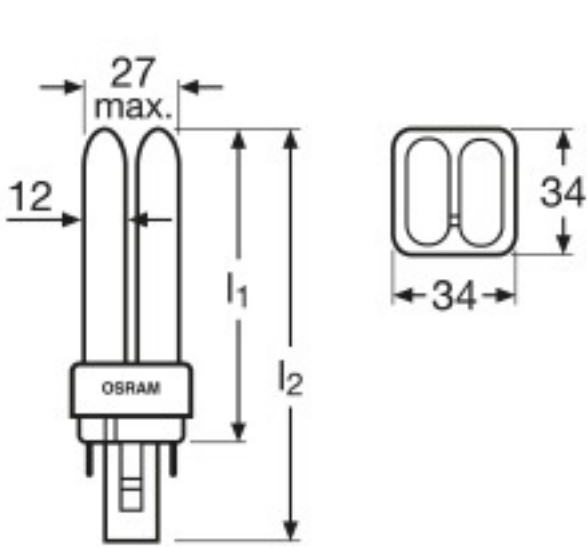
Product benefits

- Very economical
- Good quality of light
- Very good luminous flux
- Long service life
- Improved maintenance

Product features

- Short and compact pin-base lamp with double-turn tubes
- Average life: 10,000 h
- Color rendering index R_a : 80...89
- Single-ended two-pin plug-in GX24d base



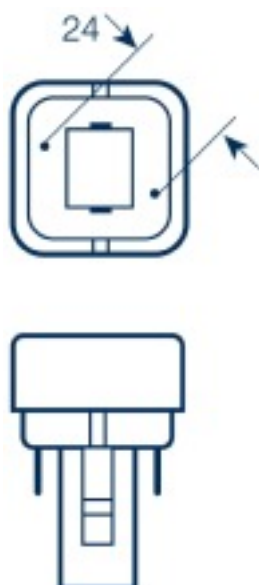


Product line drawing with numbers

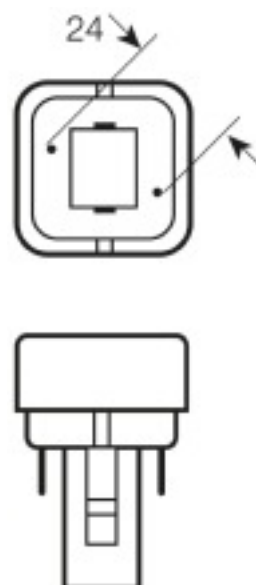
10 W/827 G24D-1 | 10 W/830 G24D-1 | 10 W/835 G24D-1 |
 10 W/840 G24D-1 | 13 W/827 G24D-1 | 13 W/830 G24D-1 |
 13 W/835 G24D-1 | 13 W/840 G24D-1 | 13 W/865 G24D-1 |
 18 W/827 G24D-2 | 18 W/830 G24D-2 | 18 W/835 G24D-2 |
 18 W/840 G24D-2 | 18 W/865 G24D-2 | 26 W/827 G24D-3 |
 26 W/830 G24D-3 | 26 W/835 G24D-3 | 26 W/840 G24D-3 |
 26 W/865 G24D-3

Prod line drw, top, neutral dimensions

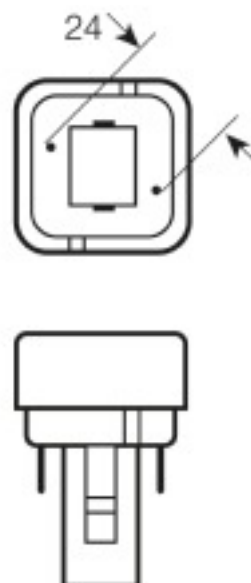
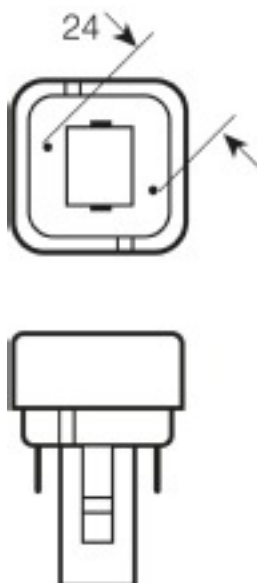
10 W/827 G24D-1 | 10 W/830 G24D-1 | 10 W/835 G24D-1 |
 10 W/840 G24D-1 | 13 W/827 G24D-1 | 13 W/830 G24D-1 |
 13 W/835 G24D-1 | 13 W/840 G24D-1 | 13 W/865 G24D-1 |
 18 W/827 G24D-2 | 18 W/830 G24D-2 | 18 W/835 G24D-2 |
 18 W/840 G24D-2 | 18 W/865 G24D-2 | 26 W/827 G24D-3 |
 26 W/830 G24D-3 | 26 W/835 G24D-3 | 26 W/840 G24D-3



Base
10 W/827 G24D-1 | 10 W/830 G24D-1 | 10 W/835 G24D-1 |
10 W/840 G24D-1



Base
13 W/827 G24D-1 | 13 W/830 G24D-1 | 13 W/835 G24D-1 |
13 W/840 G24D-1 | 13 W/865 G24D-1



Base

18 W/827 G24D-2 | 18 W/830 G24D-2 | 18 W/835 G24D-2 |
18 W/840 G24D-2 | 18 W/865 G24D-2

Base

26 W/827 G24D-3 | 26 W/830 G24D-3 | 26 W/835 G24D-3 |
26 W/840 G24D-3 | 26 W/865 G24D-3

Technical data

Product description	Nominal wattage	Rated lamp efficacy (standard condition)	Rated color rendering index Ra	Luminous flux at 25 °C	Light color	Rated color temperature
10 W/827 G24D-1	10 W	60 lm/W	80...89	600 lm	827	2700 K
10 W/830 G24D-1	10 W		80...89	600 lm	830	3000 K
10 W/835 G24D-1	10 W	60 lm/W	80...89	600 lm	835	3500 K
10 W/840 G24D-1	10 W	60 lm/W	80...89	600 lm	840	4000 K
13 W/827 G24D-1	13 W	69 lm/W	80...89	900 lm	827	2700 K
13 W/830 G24D-1	13 W	69 lm/W	80...89	900 lm	830	3000 K
13 W/835 G24D-1	13 W	69 lm/W	80...89	900 lm	835	3500 K
13 W/840 G24D-1	13 W	69 lm/W	80...89	900 lm	840	4000 K
13 W/865 G24D-1	13 W	66 lm/W	80...89	855 lm	865	6500 K
18 W/827 G24D-2 ¹⁾	18 W	67 lm/W	80...89	1200 lm	827	2700 K
18 W/830 G24D-2 ¹⁾	18 W	67 lm/W	80...89	1200 lm	830	3000 K
18 W/835 G24D-2 ¹⁾	18 W		80...89	1200 lm	835	3500 K
18 W/840 G24D-2 ¹⁾	18 W	67 lm/W	80...89	1200 lm	840	4000 K
18 W/865 G24D-2 ¹⁾	18 W	63 lm/W	80...89	1140 lm	865	6500 K
26 W/827 G24D-3	26 W	69 lm/W	80...89	1800 lm	827	2700 K
26 W/830 G24D-3	26 W	69 lm/W	80...89	1800 lm	830	3000 K
26 W/835 G24D-3	26 W	69 lm/W	80...89	1800 lm	835	3500 K
26 W/840 G24D-3	26 W	69 lm/W	80...89	1800 lm	840	4000 K

26 W/865 G24D-3	26 W	66 lm/W	80...89	1710 lm	865	6500 K
Product description	Rated color temperature	Base (standard designation)	Length with base excl. base pins/connection	Service life	Lifespan	Appropriate disposal acc. to WEEE
10 W/827 G24D-1	2700 K	G24d-1	87.00 mm	6500 h	10000 h ²⁾	Yes
10 W/830 G24D-1	3000 K	G24d-1	87.00 mm	6500 h	10000 h ²⁾	Yes
10 W/835 G24D-1	3500 K	G24d-1	87.00 mm	6500 h	10000 h ²⁾	Yes
10 W/840 G24D-1	4000 K	G24d-1	87.00 mm	6500 h	10000 h ²⁾	Yes
13 W/827 G24D-1	2700 K	G24d-1	115.00 mm	6500 h	10000 h ²⁾	Yes
13 W/830 G24D-1	3000 K	G24d-1	115.00 mm	6500 h	10000 h ²⁾	Yes
13 W/835 G24D-1	3500 K	G24d-1	115.00 mm	6500 h	10000 h ²⁾	Yes
13 W/840 G24D-1	4000 K	G24d-1	115.00 mm	6500 h	10000 h ²⁾	Yes
13 W/865 G24D-1	6500 K	G24d-1	115.00 mm	6500 h	10000 h ²⁾	Yes
18 W/827 G24D-2 ¹⁾	2700 K	G24d-2	130.00 mm	6500 h	10000 h ²⁾	Yes
18 W/830 G24D-2 ¹⁾	3000 K	G24d-2	130.00 mm	6500 h	10000 h ²⁾	Yes
18 W/835 G24D-2 ¹⁾	3500 K	G24d-2	130.00 mm	6500 h	10000 h ²⁾	Yes
18 W/840 G24D-2 ¹⁾	4000 K	G24d-2	130.00 mm	6500 h	10000 h ²⁾	Yes
18 W/865 G24D-2 ¹⁾	6500 K	G24d-2	130.00 mm	6500 h	10000 h ²⁾	Yes
26 W/827 G24D-3	2700 K	G24d-3	149.00 mm	6500 h	10000 h ²⁾	Yes
26 W/830 G24D-3	3000 K	G24d-3	149.00 mm	6500 h	10000 h ²⁾	Yes
26 W/835 G24D-3	3500 K	G24d-3	149.00 mm	6500 h	10000 h ²⁾	Yes
26 W/840 G24D-3	4000 K	G24d-3	149.00 mm	6500 h	10000 h ²⁾	Yes

26 W/865 G24D-3	6500 K	G24d-3	149.00 mm	6500 h	10000 h ²⁾	Yes
-----------------	--------	--------	-----------	--------	-----------------------	-----

¹⁾ Suitable only for operation with 0.22 A control gear

²⁾ With CCG/LLCG

Equipment / Accessories

- Suitable for operation on conventional control gear

Safety advice

In case of lamp breakage: www.osram.com/brokenlamp

Application advice

For more detailed application information and graphics please see product datasheet.

Disclaimer

Subject to change without notice. Errors and omission excepted. Always make sure to use the most recent release.