



Key-operated button, 2 positions




Powering Business Worldwide™

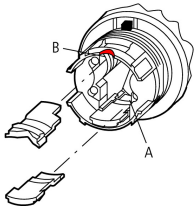
Part no. M22-WS
Article no. 216881

Single lock tumblers

Delivery programme

Product range			RMQ-Titan (drilling dimensions 22.5 mm)
Basic function			Key-operated buttons
Description			2 positions Individual lock mechanism MS1 Not suitable for master key systems With 1 key Stay-put/spring-return function, can be changed with coding parts M22-XC-Y Key withdraw convertible with coding adapters M22-XC-...
Front ring			Front ring: titanium
Function			momentary  right: 40°
Key withdrawable in position			0

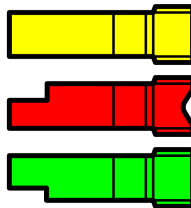
Notes For conversion between stay-put and spring-return functions and for changing the key withdrawability for selector switch actuators with 2 positions



	O	I
0		B
∠ 60°	✓	✓
∠ 50°	✓	✗
∠ > 40°	✓	✗

✓ = Key withdrawable

✗ = Key not withdrawable
Coding adapters



M22-XC-Y, →#216407



M22-XC-R, →#216406

Approbationen

UL approval
CSA approval
Product Standards
UL File No.
UL CCN
CSA File No.
CSA Class No.
NA Certification
Degree of Protection

Yes
Yes
IEC/EN 60947-5; UL 508; CSA-C22.2 No. 14-05; CSA-C22.2 No. 94-91; CE marking
E29184
NKCR
012528
3211-03
UL listed, CSA certified
UL/CSA Type 3R, 4X, 12, 13

General

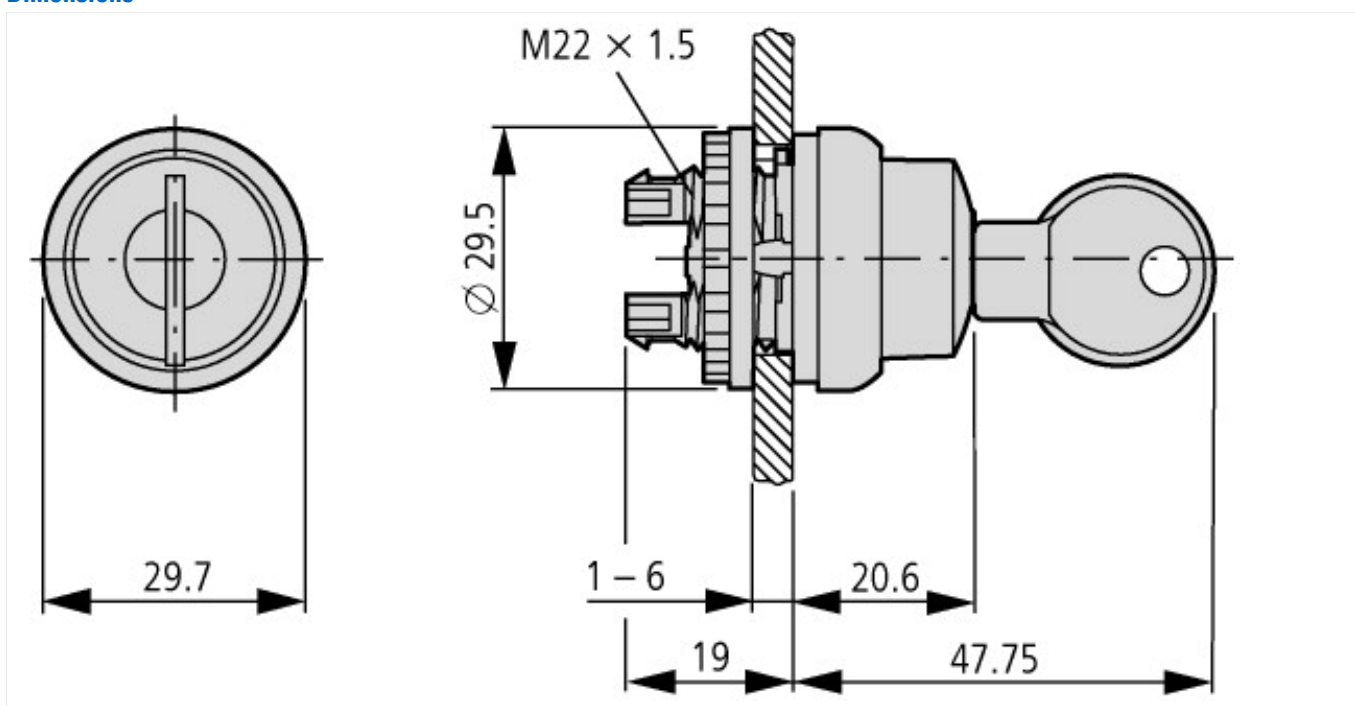
Standards			IEC/EN 60947 VDE 0660
Lifespan, mechanical	Operations	x 10 ⁶	> 0.1
Operating frequency	Operations/ h		 100
Operating torque		Nm	 0.5
Protection type			IP66
Climatic proofing			Damp heat, constant to IEC 60068-2-78 Damp heat, cyclic to IEC 60068-2-30
Ambient temperature		°C	
Open		°C	- 25 - + 70
Mounting position			As required

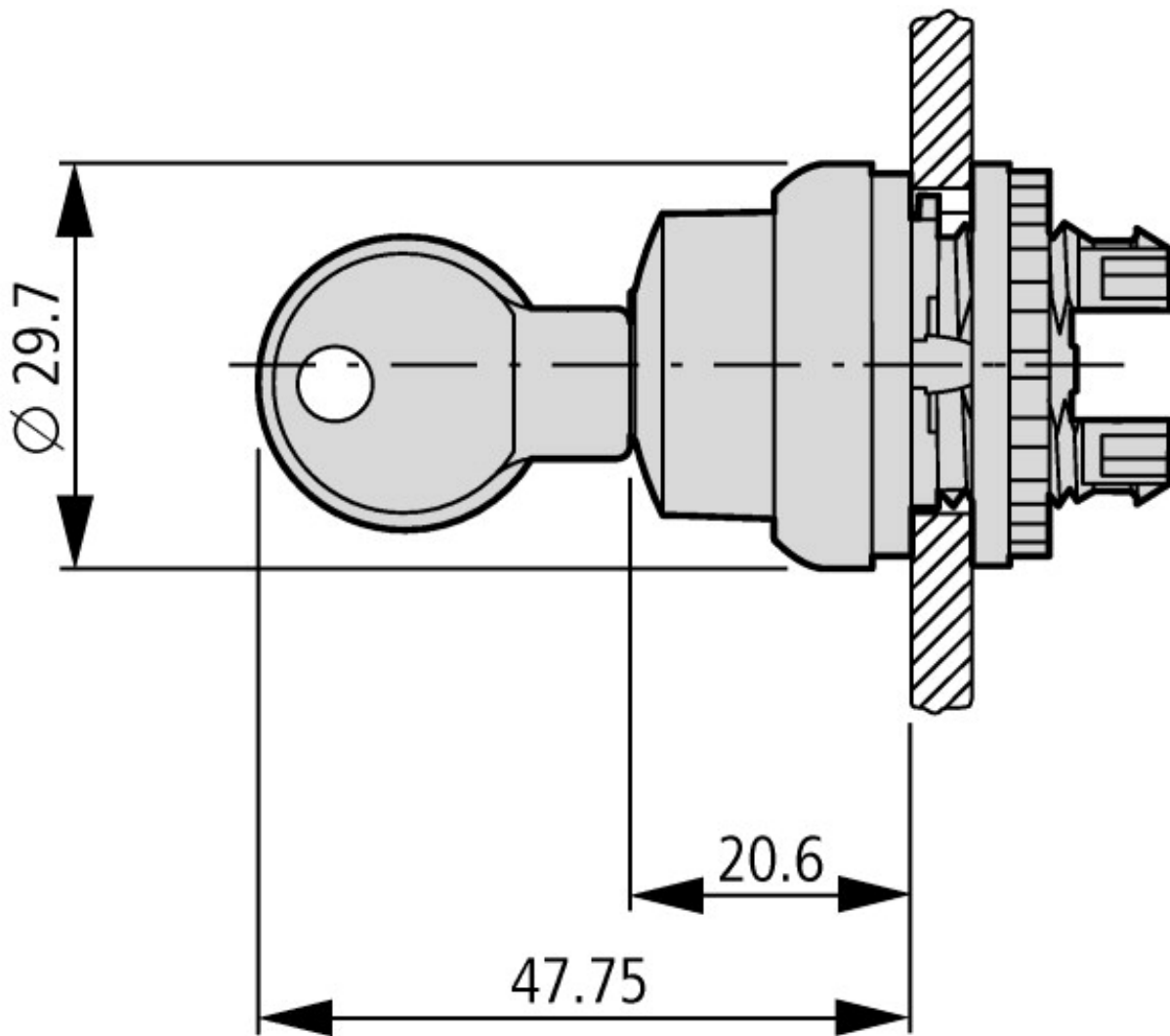
Mechanical shock resistance		g	30 Shock duration 11 ms Sinusoidal according to IEC 60068-2-27
-----------------------------	--	---	---

Technical data ETIM 4.0

Color bezel			Chrome
Suitable for illumination			No
Lens design			Round
Protection type (IP), at front			IP66
Material front ring			Insulated material
Momentary			YES
Number of switch positions			2
Color actuator			black
Hole diameter		mm	22
With bezel			YES
Width of opening		mm	22
Height meter opening		mm	6

Dimensions





Individual lock mechanism

Individual lock mechanism

Additional product information (links)

IL04716002Z (AWA1160-1745) RMQ-Titan System

IL04716002Z (AWA1160-1745) RMQ-Titan System

ftp://ftp.moeller.net/DOCUMENTATION/AWA_INSTRUCTIONS/IL04716002Z2011_03.pdf

Labeleditor

ftp://ftp.moeller.net/MFD/EASY-SOFT-PRO/labeleditor_206.exe