

## HALOSPOT 70

---

Halogen spot lamps with 70 mm aluminum reflectors



- General illumination
- Shops
- Restaurants, hotels and similar prestigious applications
- Offices, public buildings

### Product benefits

---

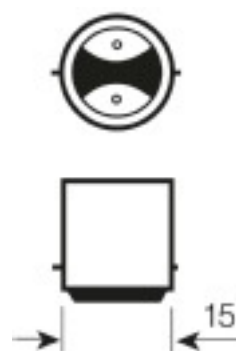
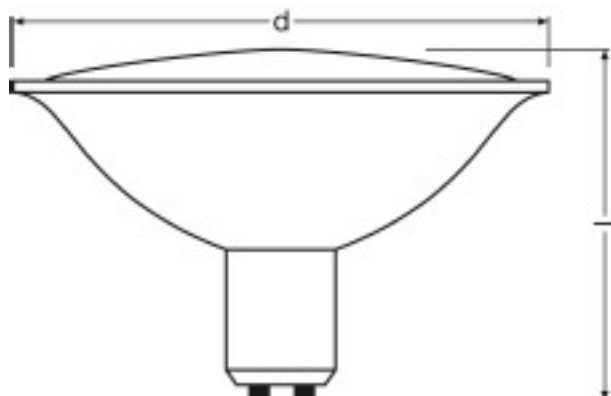
- Brilliant accent light
- Cap for reduced glare and ease of handling
- Excellent distribution of light thanks to faceted reflector
- Approved for use in open luminaires (to IEC 60598-1)
- UV filter
- Drastically reduced thermal load in fixture thanks to aluminum-coated reflector
- Contains no mercury, can be thrown away with normal household waste

### Product features

---

- Average life: 3,000 h
- Dimmable
- Color rendering index  $R_a$ : 100
- Base: BA15d





B15d  
IEC 7004-11  
DIN 49721

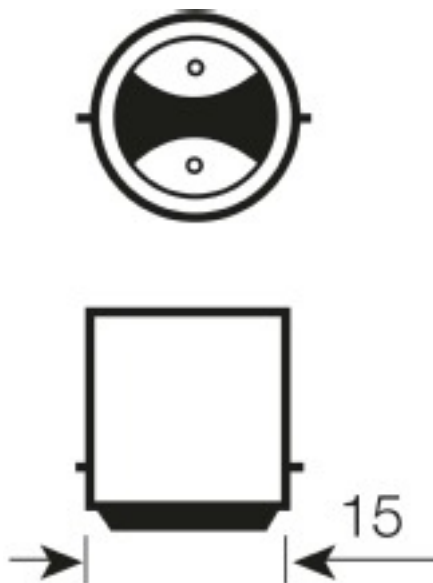
IEC 61-7005-16  
DIN 49725

*Product line drawing with letters*

20 W 12 V 8° BA15D | 20 W 12 V 24° BA15D | 50 W 12 V 8°  
BA15D | 50 W 12 V 24° BA15D

*Base*

20 W 12 V 8° BA15D | 20 W 12 V 24° BA15D | 50 W 12 V 8°  
BA15D | 50 W 12 V 24° BA15D



*Base*

20 W 12 V 8° BA15D | 20 W 12 V 24° BA15D | 50 W 12 V 8°  
BA15D | 50 W 12 V 24° BA15D

## Technical data

Product description	Base (standard designation)	Rated wattage	Luminous intensity	Beam angle	Nominal wattage	Nominal voltage
20 W 12 V 8° BA15D	BA15d	20 W	7700 cd	8 °	20 W	12 V
20 W 12 V 24° BA15D	BA15d	20 W	900 cd	24 °	20 W	12 V
50 W 12 V 8° BA15D	BA15d	50 W	12500 cd	8 °	50 W	12 V
50 W 12 V 24° BA15D	BA15d	50 W	2600 cd	24 °	50 W	12 V

Product description	Nominal voltage	Nominal lamp life time	Rated lamp life time	Rated color temperature	Rated color rendering index Ra	Rated starting time
20 W 12 V 8° BA15D	12 V	2000 h	2000 h	3000 K	100	0.0 s
20 W 12 V 24° BA15D	12 V	2000 h	2000 h	3000 K	100	0.0 s
50 W 12 V 8° BA15D	12 V	2000 h	2000 h	3000 K	100	0.0 s
50 W 12 V 24° BA15D	12 V	2000 h	2000 h	3000 K	100	0.0 s

Product description	Rated starting time	Rated warm-up time (60 %)	Rated number of switching cycles	Rated lamp mercury content	Rated power factor $\lambda$	Overall length
20 W 12 V 8° BA15D	0.0 s	0 s	1000000 <sup>1)</sup>	0.0 mg	1.00	45.6 mm
20 W 12 V 24° BA15D	0.0 s	0 s	1000000 <sup>1)</sup>	0.0 mg	1.00	45.6 mm
50 W 12 V 8° BA15D	0.0 s	0 s	1000000 <sup>1)</sup>	0.0 mg	1.00	45.6 mm
50 W 12 V 24° BA15D	0.0 s	0 s	1000000 <sup>1)</sup>	0.0 mg	1.00	45.6 mm

Product description	Overall length	Diameter	Dimmable	Burning position	ILCOS	Lumen main.fact.at end of nom.life time
20 W 12 V 8° BA15D	45.6 mm	70.5 mm	Yes	Any	HMGS//UB-20-12-BA15D-70/8	0.80
20 W 12 V 24° BA15D	45.6 mm	70.5 mm	Yes	Any	HMGS//UB-20-12-BA15D-70/24	0.80
50 W 12 V 8° BA15D	45.6 mm	70.5 mm	Yes	Any	HMGS//UB-50-12-BA15D-70/8	0.80
50 W 12 V 24° BA15D	45.6 mm	70.5 mm	Yes	Any	HMGS//UB-50-12-BA15D-70/24	0.80

<sup>1)</sup> At 1 s on / 1 s off

## Application advice

---

For more detailed application information and graphics please see product datasheet.

## References / Links

---

For light distribution curves see

▶ [www.osram.com](http://www.osram.com)

## Disclaimer

---

Subject to change without notice. Errors and omission excepted. Always make sure to use the most recent release.