



**Emerg. stop/switching off button,illum.**

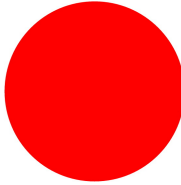


Powering Business Worldwide™

**Part no. M22-PVL**

**Article no. 216878**

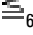
### Delivery programme

|                            |   |    |                                                                                    |
|----------------------------|---|----|------------------------------------------------------------------------------------|
| Product range              |   |    | RMQ-Titan (drilling dimensions 22.5 mm)                                            |
| Basic function             |   |    | Emergency stop pushbutton/ emergency-stop button                                   |
| Description                |   |    | Pull to release                                                                    |
| Construction type          |   |    | Mushroom-shaped                                                                    |
| Diameter                   | Ø | mm | 38                                                                                 |
| Colour                     |   |    |                                                                                    |
| Mushroom head              |   |    | Red                                                                                |
| RAL Value                  |   |    | RAL 3000                                                                           |
|                            |   |    |  |
| Illumination               |   |    | Illuminated with LED element                                                       |
| Front ring                 |   |    | without front ring                                                                 |
| Connection to SmartWire-DT |   |    | yes                                                                                |
| <b>Instructions</b>        |   |    | Release by pulling                                                                 |
| <b>Notes</b>               |   |    |                                                                                    |
| Release by pulling         |   |    |                                                                                    |
| Button diameter 38 mm      |   |    |                                                                                    |

### Approbationen

|                      |                                                                              |
|----------------------|------------------------------------------------------------------------------|
| UL approval          | Yes                                                                          |
| CSA approval         | Yes                                                                          |
| Product Standards    | IEC/EN 60947-5; UL 508; CSA-C22.2 No. 14-05; CSA-C22.2 No. 94-91; CE marking |
| UL File No.          | E29184                                                                       |
| UL CCN               | NKCR                                                                         |
| CSA File No.         | 012528                                                                       |
| CSA Class No.        | 3211-03                                                                      |
| NA Certification     | UL listed, CSA certified                                                     |
| Degree of Protection | UL/CSA Type 3R, 4X, 12, 13                                                   |

### General

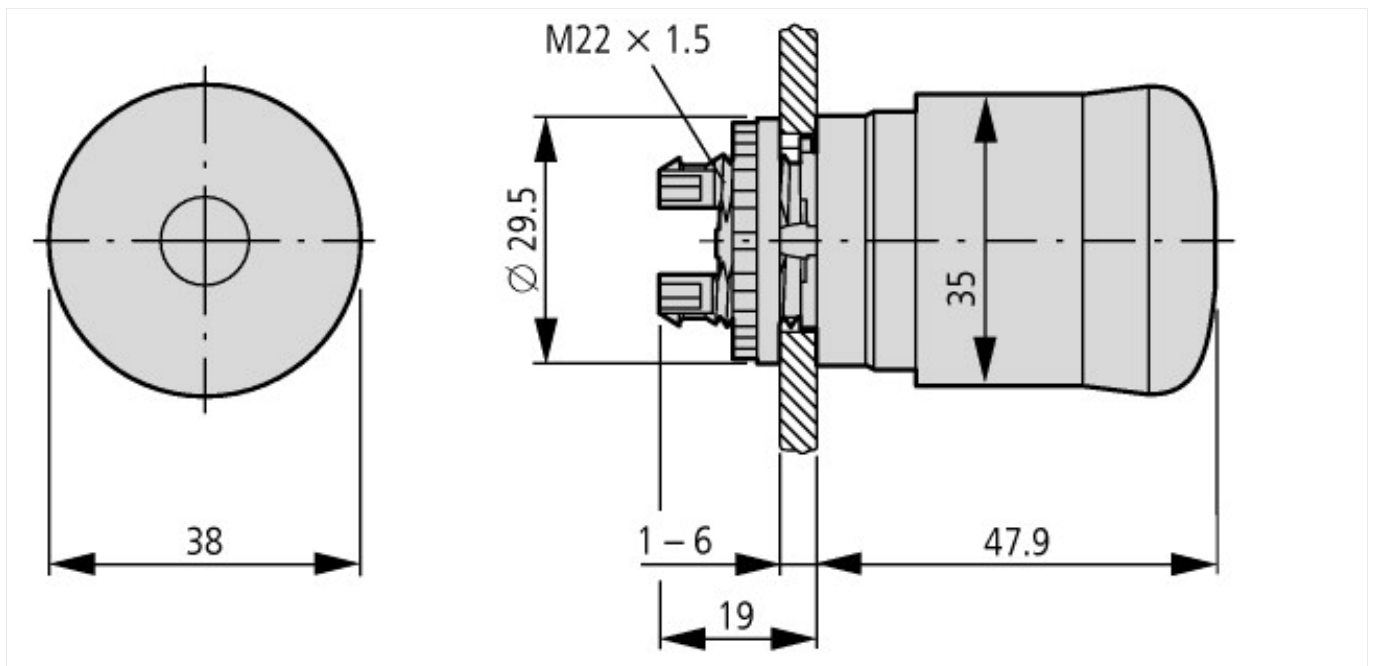
|                             |                  |                      |                                                                                         |
|-----------------------------|------------------|----------------------|-----------------------------------------------------------------------------------------|
| Standards                   |                  |                      | IEC/EN 60947<br>VDE 0660                                                                |
| Lifespan, mechanical        | Operations       | x<br>10 <sup>6</sup> | > 0.1                                                                                   |
| Operating frequency         | Operations/<br>h |                      |  600 |
| Actuating force             |                  | n                    | 50                                                                                      |
| Protection type             |                  |                      | IP66, IP69K                                                                             |
| Climatic proofing           |                  |                      | Damp heat, constant to IEC 60068-2-78<br>Damp heat, cyclic to IEC 60068-2-30            |
| Ambient temperature         |                  | °C                   |                                                                                         |
| Open                        |                  | °C                   | - 25 - + 70                                                                             |
| Mounting position           |                  |                      | As required                                                                             |
| Mechanical shock resistance |                  | g                    | 50<br>Shock duration 11 ms<br>Sinusoidal<br>according to IEC 60068-2-27                 |

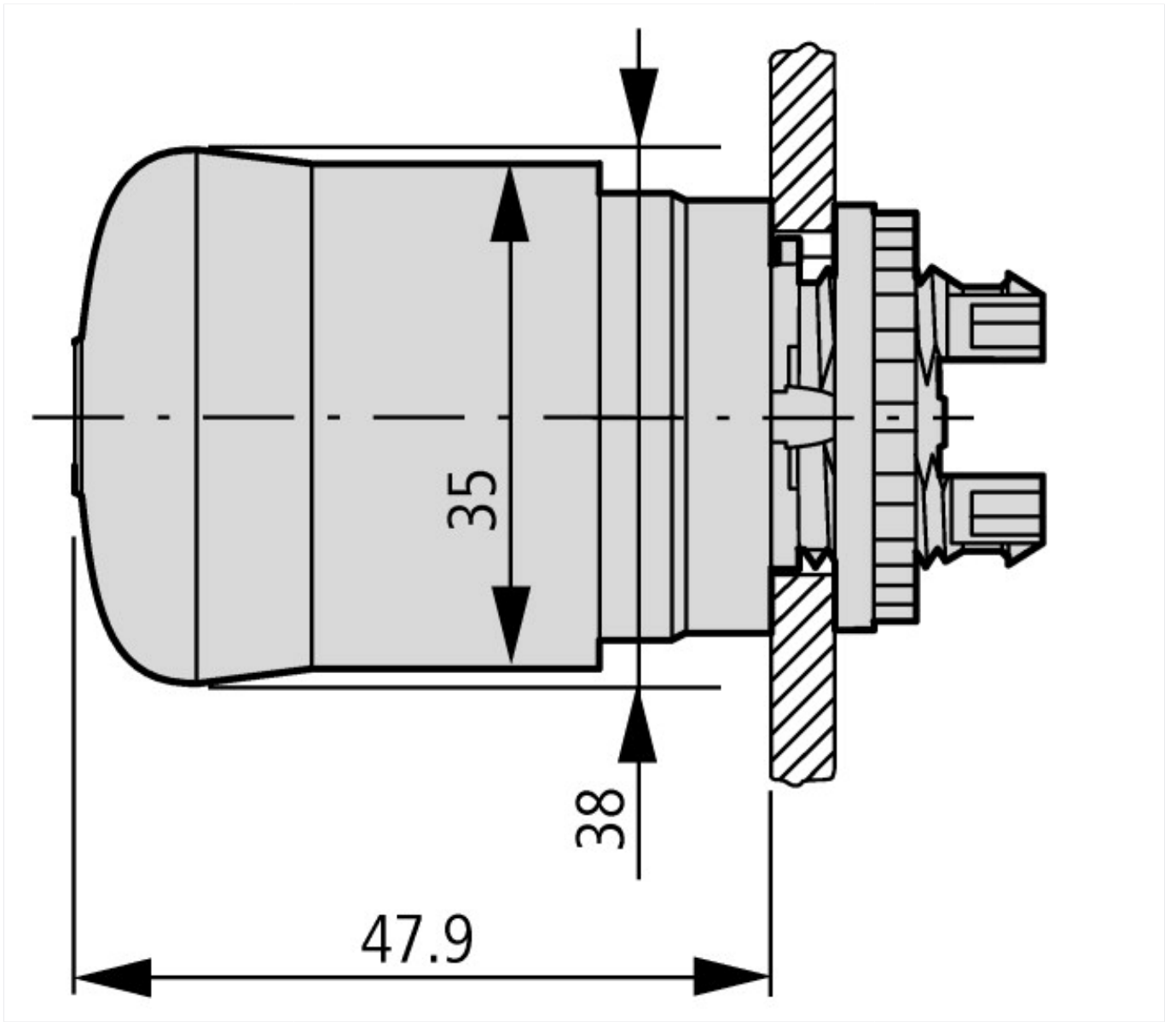
### Technical data ETIM 4.0

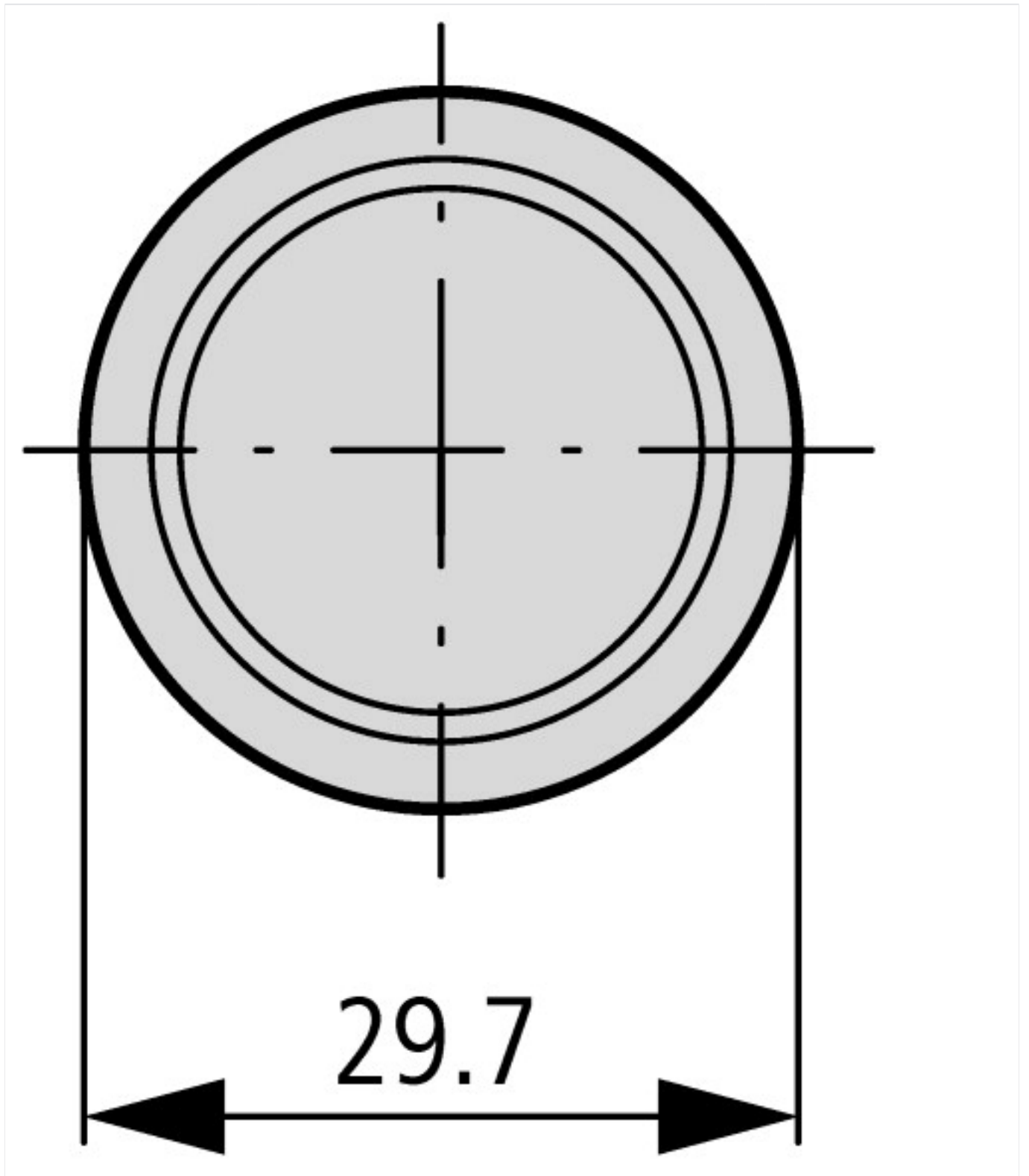
|            |  |  |    |
|------------|--|--|----|
| With bezel |  |  | No |
|------------|--|--|----|

|                                      |  |    |                    |
|--------------------------------------|--|----|--------------------|
| Unlocking method                     |  |    | Pull release       |
| Lens design                          |  |    | Round              |
| Suitable for illumination            |  |    | YES                |
| Hole diameter                        |  | mm | 22                 |
| Suitable for emergency switching off |  |    | YES                |
| Color button                         |  |    | red                |
| Color bezel                          |  |    | Chrome             |
| Width of opening                     |  | mm | 22                 |
| Height meter opening                 |  | mm | 6                  |
| Protection type (IP)                 |  |    | IP66               |
| Material front ring                  |  |    | Insulated material |
| Diameter cap                         |  | mm | 38                 |
| Momentary                            |  |    | No                 |
| Switching function latching          |  |    | YES                |
| Design of button                     |  |    | flush              |

## Dimensions







#### Additional product information (links)

IL04716002Z (AWA1160-1745) RMQ-Titan System

IL04716002Z (AWA1160-1745) RMQ-Titan System

[ftp://ftp.moeller.net/DOCUMENTATION/AWA\\_INSTRUCTIONS/IL04716002Z2011\\_03.pdf](ftp://ftp.moeller.net/DOCUMENTATION/AWA_INSTRUCTIONS/IL04716002Z2011_03.pdf)