



MASTER LEDspot PAR

MASTER LEDspot 17-100W 2700K PAR38 OD

With its robust design and warm-white beam of light, these new-generation PAR lamps are ideal for general lighting and spot lighting in the hospitality industry. There is a choice of dimmable and non-dimmable versions. They are especially suitable for public areas such as lobbies, corridors, stairwells, where the light is always on. Compatible with existing fixtures with an E27 holder and designed for retrofit replacement of halogen/incandescent lamps, MASTER LEDspot PAR deliver huge energy savings and minimize maintenance cost without any reduction in brightness. The IP44-rated outdoor version of the PAR 38 lamp is one of the few energy-saving alternatives to incandescent PAR38 outdoor lamps available today. The dimmable PAR 20 is a perfect replacement for an incandescent spot.

Product data

• General Characteristics

| | |
|------------------|------------------|
| Cap-Base | E27 |
| Bulb | PAR38 [PAR38 mm] |
| Average Lifetime | 25000 hr |

• Light Technical Characteristics

| | |
|------------------------------|--------------------|
| Color Code | WW |
| Color Designation (text) | Warm White |
| Beam Angle | 25 D |
| Beam Description | 25D [Medium beam] |
| Correlated Color Temperature | 2700 K |
| Luminous Flux | 810 Lm |
| Luminous Intensity | 3500 cd |
| Color rendering index | 80 |
| Color Temperature | 2700 K [CCT 2700K] |

• Electrical Characteristics

| | |
|-------------------|----------|
| Wattage | 17 W |
| Wattage Technical | 17.0 W |
| Voltage | 230 V |
| Line Frequency | 50-60 Hz |
| Lamp Current mA | 90 mA |
| Dimmable | No |

• Measuring Conditions

| | |
|-----------------|--------|
| Switching cycle | 50000x |
|-----------------|--------|

• Product Dimensions

| | |
|------------------|----------|
| Diameter D | 121.6 mm |
| Overall Length C | 132.5 mm |

• Product Data

| | |
|-----------------------------|---------------------------------------|
| Order code | 929000197502 |
| Full product code | 929000197502 |
| Full product name | MASTER LEDspot 17-100W 2700K PAR38 OD |
| Order product name | MASTER LEDspot 17-100W 2700K PAR38 OD |
| Pieces per pack | 1 |
| Packing configuration | 6 |
| Packs per outerbox | 6 |
| Bar code on pack - EAN1 | 8718291119319 |
| Bar code on outerbox - EAN3 | 8718291119326 |
| Logistic code(s) - 12NC | 929000197502 |
| Net weight per piece | 0.609 kg |

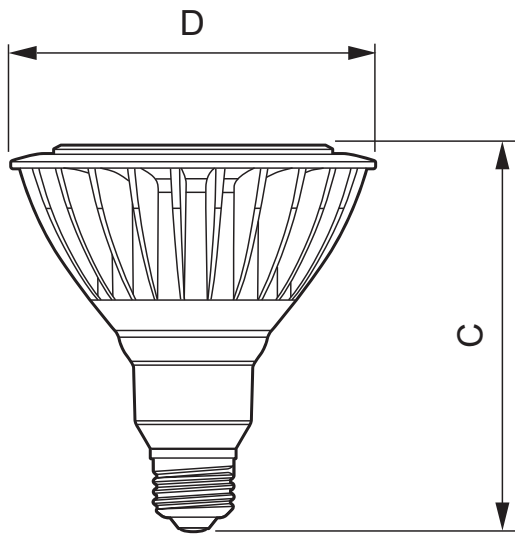
Dimensional drawing



PHILIPS

sense and simplicity

Dimensional drawing



E27

17-100W/18W, PAR38, Outdoor

| Product | C (Norm) | D (Norm) |
|----------------------------------|----------|----------|
| LED 17-100W E27 WW 2700K 230V OD | 132.5 | 121.6 |



© 2012 Koninklijke Philips Electronics N.V.
All rights reserved.

Specifications are subject to change without notice. Trademarks are the property of Koninklijke Philips Electronics N.V. or their respective owners.

www.philips.com/lighting

2012, August 4
data subject to change