



MASTER LED Lamps LV

MASTER LED 6.5-50W 2700K 12V MR16 24D

Delivering a warm, halogen/incandescent-like accent beam, MASTER LED lamp is an ideal retrofit solution for spot and general lighting applications in the hospitality industry. It is particularly suited to public areas such as receptions, lobbies, corridors, stairwells and washrooms, where the light is on all the time. The robustly designed MASTER LED has a clearly defined beam spread. There is no UV or IR in the beam, making it suitable for illuminating heat-sensitive objects (food, organic materials, paintings, etc.).

Product data

• General Characteristics

Cap-Base	GU5.3
Bulb	MR16 [MR 16inch/50mm]
Average Lifetime	25000 hr
Rated Lifetime (hours)	25000 hr

• Light Technical Characteristics

Color Code	WW
Color Designation (text)	Warm White
Beam Angle	24 D
Beam Description	24D [Medium beam]
Correlated Color Temperature	2700 K
Luminous Flux	380 Lm
Luminous Intensity	2000 cd
Color rendering index	80
Color Temperature	2700 K [CCT 2700K]
Rated Luminous Flux	380 Lm

• Electrical Characteristics

Wattage	6.5 W
Wattage Technical	6.5 W
Voltage	12 V
Power Factor	0.7 (min) -
Lamp Current mA	671 mA
Dimmable	No

Wattage Equivalent	50 W
Starting Time	0.5 (max) s

• Measuring Conditions

Switching cycle	50000x
-----------------	--------

• Product Dimensions

Diameter D	49.9 mm
Overall Length C	47.8 mm

• Product Data

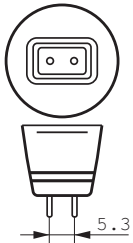
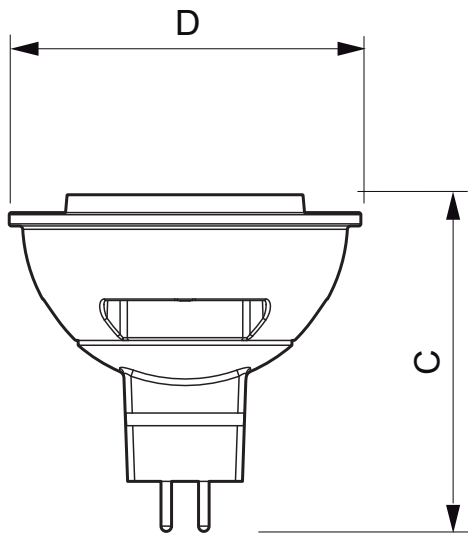
Order code	929000218008
Full product code	929000218008
Full product name	MASTER LED 6.5-50W 2700K 12V MR16 24D
Order product name	MASTER LED 6.5-50W 2700K 12V MR16 24D
Pieces per pack	1
Packing configuration	10
Packs per outerbox	10
Bar code on pack - EAN1	8718291191445
Bar code on outerbox - EAN3	8718291191452
Logistic code(s) - 12NC	929000218008
Net weight per piece	0.049 kg



PHILIPS

sense and simplicity

Dimensional drawing



GU5.3

4-20W, 5.5-35W, 6.5-50W MR16

Product	C (Norm)	C1 (Max)	D (Norm)	D1 (Norm)
LED 6.5-50W 2700K 12V MR16 24D	47.8	-	49.9	-



© 2012 Koninklijke Philips Electronics N.V.
All rights reserved.

Specifications are subject to change without notice. Trademarks are the property of Koninklijke Philips Electronics N.V. or their respective owners.

www.philips.com/lighting

2012, August 4
data subject to change