

HALOGEN ECO PRO CLASSIC A

Halogen lamps, classic bulb shape



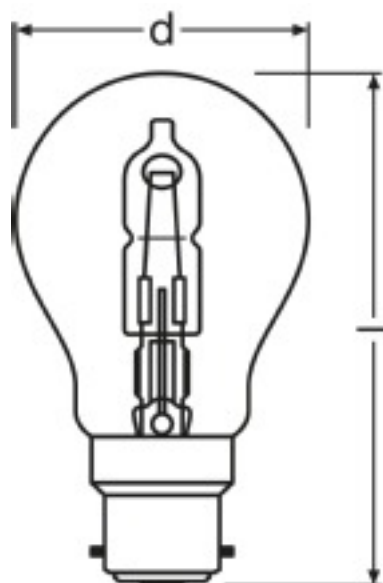
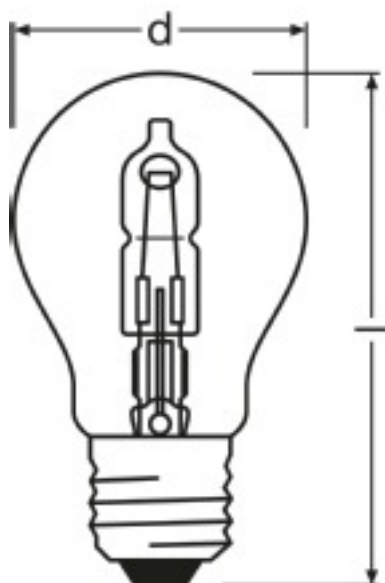
- General illumination
- Mood lighting
- Entrance lighting
- Restaurants, hotels and similar prestigious applications

Product benefits

- Simple direct replacement for conventional incandescent lamps
- The same pleasant quality of light as that of an incandescent lamp
- Instant 100 % light, no warm-up time
- Contains no mercury, can be thrown away with normal household waste
- UV filter

Product features

- 100 % dimmable
- Perfect color rendering ($R_a: 100$)
- Average life: 2,000 h



Product line drawing with letters

20 W 230 V E27 | 30 W 230 V E27 | 30 W 240 V E27 | 46 W
230 V E27 | 46 W 240 V E27 | 57 W 230 V E27 | 57 W 240 V
E27 | 116 W 230 V E27 | 77 W 230 V E27 | 77 W 240 V E27 |
— 116 W 240 V E27

Product line drawing with letters

30 W 240 V B22D | 46 W 240 V B22D | 57 W 240 V B22D |
77 W 240 V B22D | 116 W 240 V B22D

Technical data

Product description	Nominal luminous flux	Rated luminous flux	Base (standard designation)	Rated wattage	Nominal wattage	Nominal voltage
20 W 230 V E27	235 lm	235 lm	E27	20 W	20 W	230 V
30 W 230 V E27	405 lm	405 lm	E27	30 W	30 W	230 V
30 W 240 V B22D	405 lm	405 lm	B22d	30 W	30 W	240 V
30 W 240 V E27	405 lm	405 lm	E27	30 W	30 W	240 V
46 W 230 V E27	700 lm	700 lm	E27	46 W	46 W	230 V
46 W 240 V B22D	700 lm	700 lm	B22d	46 W	46 W	240 V
46 W 240 V E27	700 lm	700 lm	E27	46 W	46 W	240 V
57 W 230 V E27	915 lm	915 lm	E27	57 W	57 W	230 V
57 W 240 V B22D	915 lm	915 lm	B22d	57 W	57 W	240 V
57 W 240 V E27	915 lm	915 lm	E27	57 W	57 W	240 V
116 W 230 V E27	2135 lm	2135 lm	E27	116 W	116 W	230 V
77 W 230 V E27	1320 lm	1320 lm	E27	77 W	77 W	230 V
77 W 240 V B22D	1320 lm	1320 lm	B22d	77 W	77 W	240 V
77 W 240 V E27	1320 lm	1320 lm	E27	77 W	77 W	240 V
116 W 240 V B22D	2135 lm	2135 lm	B22d	116 W	116 W	240 V
116 W 240 V E27	2135 lm	2135 lm	E27	116 W	116 W	240 V

Product description	Nominal voltage	Claimed equiv. conventional lamp power	Nominal lamp life time	Rated lamp life time	Rated color temperature	Rated color rendering index Ra
20 W 230 V E27	230 V	25 W	2000 h	2000 h	2700 K	100
30 W 230 V E27	230 V	40 W	2000 h	2000 h	2700 K	100
30 W 240 V B22D	240 V	40 W	2000 h	2000 h	2700 K	100
30 W 240 V E27	240 V	40 W	2000 h	2000 h	2700 K	100
46 W 230 V E27	230 V	60 W	2000 h	2000 h	2700 K	100
46 W 240 V B22D	240 V	60 W	2000 h	2000 h	2700 K	100
46 W 240 V E27	240 V	60 W	2000 h	2000 h	2700 K	100
57 W 230 V E27	230 V	75 W	2000 h	2000 h	2800 K	100
57 W 240 V B22D	240 V	75 W	2000 h	2000 h	2800 K	100
57 W 240 V E27	240 V	75 W	2000 h	2000 h	2800 K	100
116 W 230 V E27	230 V	150 W	2000 h	2000 h	2800 K	100
77 W 230 V E27	230 V	100 W	2000 h	2000 h	2800 K	100
77 W 240 V B22D	240 V	100 W	2000 h	2000 h	2800 K	100
77 W 240 V E27	240 V	100 W	2000 h	2000 h	2800 K	100
116 W 240 V B22D	240 V	150 W	2000 h	2000 h	2800 K	100
116 W 240 V E27	240 V	150 W	2000 h	2000 h	2800 K	100

Product description	Rated color rendering index Ra	Rated starting time	Rated warm-up time (60 %)	Rated number of switching cycles	Rated lamp mercury content	Rated power factor λ
---------------------	--------------------------------	---------------------	---------------------------	----------------------------------	----------------------------	------------------------------

20 W 230 V E27	100	0.0 s	0 s	50000 ¹⁾	0.0 mg	1.00
30 W 230 V E27	100	0.0 s	0 s	50000 ¹⁾	0.0 mg	1.00
30 W 240 V B22D	100	0.0 s	0 s	50000 ¹⁾	0.0 mg	1.00
30 W 240 V E27	100	0.0 s	0 s	50000 ¹⁾	0.0 mg	1.00
46 W 230 V E27	100	0.0 s	0 s	50000 ¹⁾	0.0 mg	1.00
46 W 240 V B22D	100	0.0 s	0 s	50000 ¹⁾	0.0 mg	1.00
46 W 240 V E27	100	0.0 s	0 s	50000 ¹⁾	0.0 mg	1.00
57 W 230 V E27	100	0.0 s	0 s	50000 ¹⁾	0.0 mg	1.00
57 W 240 V B22D	100	0.0 s	0 s	50000 ¹⁾	0.0 mg	1.00
57 W 240 V E27	100	0.0 s	0 s	50000 ¹⁾	0.0 mg	1.00
116 W 230 V E27	100	0.0 s	0 s	50000 ¹⁾	0.0 mg	1.00
77 W 230 V E27	100	0.0 s	0 s	50000 ¹⁾	0.0 mg	1.00
77 W 240 V B22D	100	0.0 s	0 s	50000 ¹⁾	0.0 mg	1.00
77 W 240 V E27	100	0.0 s	0 s	50000 ¹⁾	0.0 mg	1.00
116 W 240 V B22D	100	0.0 s	0 s	50000 ¹⁾	0.0 mg	1.00
116 W 240 V E27	100	0.0 s	0 s	50000 ¹⁾	0.0 mg	1.00

Product description	Rated power factor λ	Overall length	Diameter	Dimmable	EEL – Energy Label	Burning position
20 W 230 V E27	1.00	97.0 mm	55.0 mm	Yes	C	Any
30 W 230 V E27	1.00	97.0 mm	55.0 mm	Yes	C	Any
30 W 240 V B22D	1.00	96.0 mm	55.0 mm	Yes	C	Any
30 W 240 V E27	1.00	97.0 mm	55.0 mm	Yes	C	Any

46 W 230 V E27	1.00	97.0 mm	55.0 mm	Yes	C	Any
46 W 240 V B22D	1.00	96.0 mm	55.0 mm	Yes	C	Any
46 W 240 V E27	1.00	97.0 mm	55.0 mm	Yes	C	Any
57 W 230 V E27	1.00	97.0 mm	55.0 mm	Yes	C	Any
57 W 240 V B22D	1.00	96.0 mm	55.0 mm	Yes	C	Any
57 W 240 V E27	1.00	97.0 mm	55.0 mm	Yes	C	Any
116 W 230 V E27	1.00	97.0 mm	55.0 mm	Yes	C	Any
77 W 230 V E27	1.00	97.0 mm	55.0 mm	Yes	C	Any
77 W 240 V B22D	1.00	96.0 mm	55.0 mm	Yes	C	Any
77 W 240 V E27	1.00	97.0 mm	55.0 mm	Yes	C	Any
116 W 240 V B22D	1.00	96.0 mm	55.0 mm	Yes	C	Any
116 W 240 V E27	1.00	97.0 mm	55.0 mm	Yes	C	Any

Product description	Burning position	ILCOS	Light center length (LCL)	Lumen main.fact.at end of nom.life time	Mercury-free	New article
20 W 230 V E27	Any	HSGSA/C/UB-20-230-E27	73.0 mm	0.80	Yes	NEW
30 W 230 V E27	Any	HSGSA/C/UB-30-230-E27	73.0 mm	0.80	Yes	NEW
30 W 240 V B22D	Any	HSGSA/C/UB-30-240-B22D	73.0 mm	0.80	Yes	NEW
30 W 240 V E27	Any	HSGSA/C/UB-30-240-E27	73.0 mm	0.80	Yes	NEW
46 W 230 V E27	Any	HSGSA/C/UB-46-230-E27	73.0 mm	0.80	Yes	NEW
46 W 240 V B22D	Any	HSGSA/C/UB-46-240-B22D	73.0 mm	0.80	Yes	NEW
46 W 240 V E27	Any	HSGSA/C/UB-46-240-E27	73.0 mm	0.80	Yes	NEW

57 W 230 V E27	Any	HSGSA/C/UB-57-230-E27	73.0 mm	0.80	Yes	NEW
57 W 240 V B22D	Any	HSGSA/C/UB-57-240-B22D	73.0 mm	0.80	Yes	NEW
57 W 240 V E27	Any	HSGSA/C/UB-57-240-E27	73.0 mm	0.80	Yes	NEW
116 W 230 V E27	Any	HSGSA/C/UB-116-230-E27	73.0 mm	0.80	Yes	NEW
77 W 230 V E27	Any	HSGSA/C/UB-77-230-E27	73.0 mm	0.80	Yes	NEW
77 W 240 V B22D	Any	HSGSA/C/UB-77-240-B22D	73.0 mm	0.80	Yes	NEW
77 W 240 V E27	Any	HSGSA/C/UB-77-240-E27	73.0 mm	0.80	Yes	NEW
116 W 240 V B22D	Any	HSGSA/C/UB-116-240-B22D	73.0 mm	0.80	Yes	NEW
116 W 240 V E27	Any	HSGSA/C/UB-116-240-E27	73.0 mm	0.80	Yes	NEW

1) At 1 s on / 1 s off

Application advice

For more detailed application information and graphics please see product datasheet.

References / Links

For an extended range for non-EU countries see

▶ www.osram.com

Disclaimer

Subject to change without notice. Errors and omission excepted. Always make sure to use the most recent release.