



## Key-operated button, 3 positions




Powering Business Worldwide™

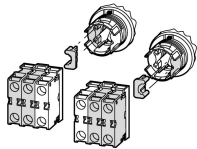
Part no. **M22-WS3**  
Article no. **216894**

Single lock tumblers

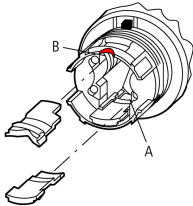
### Delivery programme

Product range			RMQ-Titan (drilling dimensions 22.5 mm)
Basic function			Key-operated buttons
Description			3 positions (with plunger bridge engineering) Individual lock mechanism MS1 Not suitable for master key systems With 1 key Stay-put/spring-return function, can be changed with coding parts M22-XC-Y Key withdraw convertible with coding adapters M22-XC-...
Front ring			Front ring: titanium
Function			momentary  left: 40° right: 40°
Key withdrawable in position			0

Note concerning the product **Plunger bridge for the middle contact on 3-position selector switches**



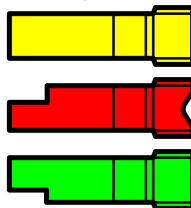
Notes **For conversion between stay-put and spring-return functions and for changing the key withdrawability for selector switch actuators with 3 positions**



	I	O	II
	A		B
60° ↓ 60°	-	✓	✓
50° ↓ 50°	✓	✓	✗
60° ↓ 50°	-	✓	✗
50° ↓ 60°	✓	✓	-
40° ↻ 40°	✓	✗	✓
60° ↻ 40°	-	✓	✓
50° ↻ 40°	✓	✓	✗
40° ↻ 60°	✓	✗	-
40° ↻ 50°	✓	✓	✗

✓ = Key withdrawable  
✗ = Key not withdrawable

#### Coding adapters




M22-XC-Y, a#216407

M22-XC-R, a#216406

### Approbatoren

UL approval	Yes
CSA approval	Yes
Product Standards	IEC/EN 60947-5; UL 508; CSA-C22.2 No. 14-05; CSA-C22.2 No. 94-91; CE marking
UL File No.	E29184
UL CCN	NKCR
CSA File No.	012528
CSA Class No.	3211-03
NA Certification	UL listed, CSA certified
Degree of Protection	UL/CSA Type 3R, 4X, 12, 13

### General

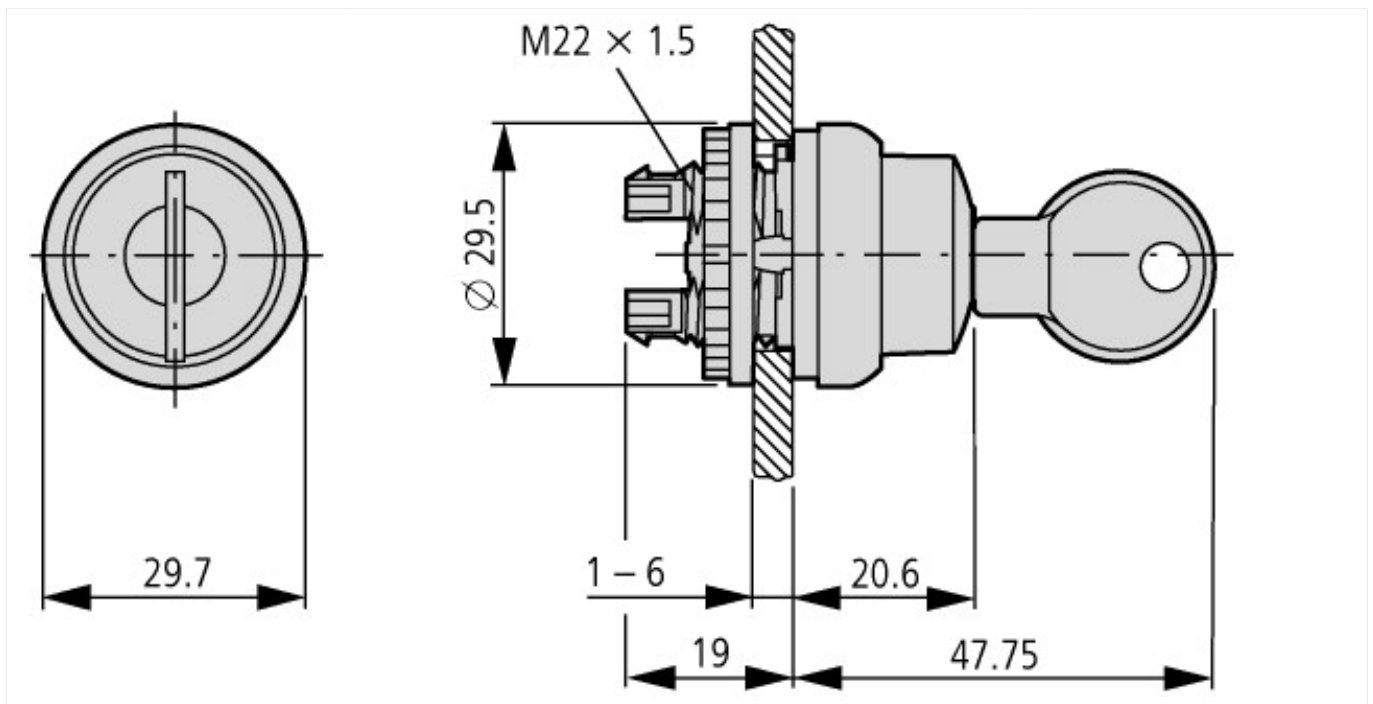
Standards			IEC/EN 60947 VDE 0660
Lifespan, mechanical	Operations	x 10 <sup>6</sup>	> 0.1
Operating frequency	Operations/h		 100

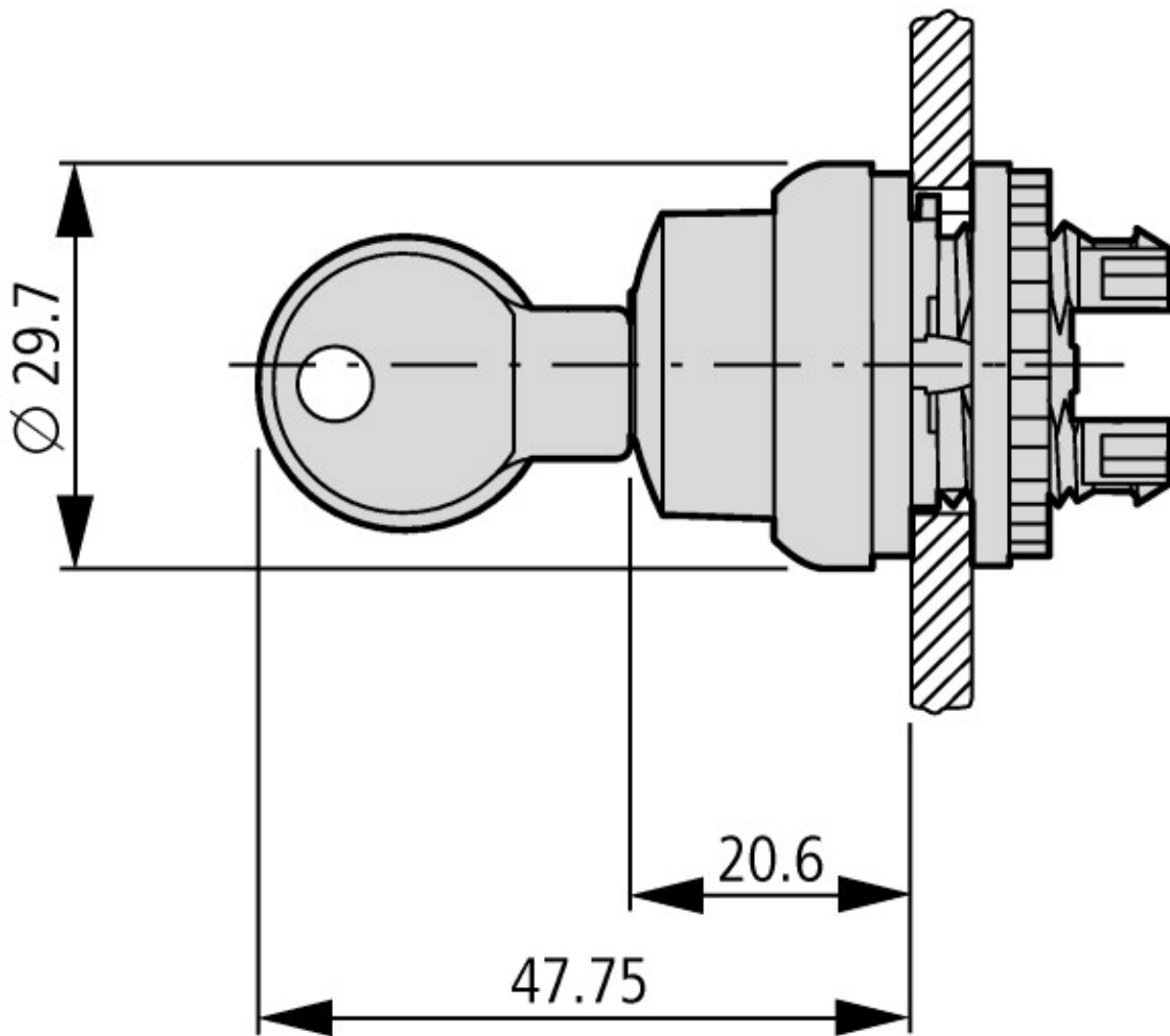
Operating torque		Nm	$\approx$ 0.5
Protection type			IP66
Climatic proofing			Damp heat, constant to IEC 60068-2-78 Damp heat, cyclic to IEC 60068-2-30
Ambient temperature		°C	
Open		°C	- 25 - + 70
Mounting position			As required
Mechanical shock resistance		g	30 Shock duration 11 ms Sinusoidal according to IEC 60068-2-27

### Technical data ETIM 4.0

Color bezel			Chrome
Suitable for illumination			No
Lens design			Round
Protection type (IP), at front			IP66
Material front ring			Insulated material
Momentary			YES
Number of switch positions			3
Color actuator			black
Hole diameter		mm	22
With bezel			YES
Width of opening		mm	22
Height meter opening		mm	6

### Dimensions





Individual lock mechanism

Individual lock mechanism

### Additional product information (links)

**IL04716002Z (AWA1160-1745) RMQ-Titan System**

IL04716002Z (AWA1160-1745) RMQ-Titan System

[ftp://ftp.moeller.net/DOCUMENTATION/AWA\\_INSTRUCTIONS/IL04716002Z2011\\_03.pdf](ftp://ftp.moeller.net/DOCUMENTATION/AWA_INSTRUCTIONS/IL04716002Z2011_03.pdf)

Labeleditor

[ftp://ftp.moeller.net/MFD/EASY-SOFT-PRO/labeleditor\\_206.exe](ftp://ftp.moeller.net/MFD/EASY-SOFT-PRO/labeleditor_206.exe)