

Diaphragm for double push-button



Powering Business Worldwide™

Part no. M22-T-DD

Article no. 216396

Delivery programme

Product range			RMQ-Titan (drilling dimensions 22.5 mm)
Basic function			Accessories
Accessories			General accessories
Basic function accessories			Push-button diaphragm
Single unit/Complete unit			Single unit
			transparent version for harsh environmental conditions and application in the food industry Do not use in conjunction with M22S-ST legend plate mount, since degree of protection cannot be guaranteed
For use with			M22(S)-DDL...
Connection to SmartWire-DT			no

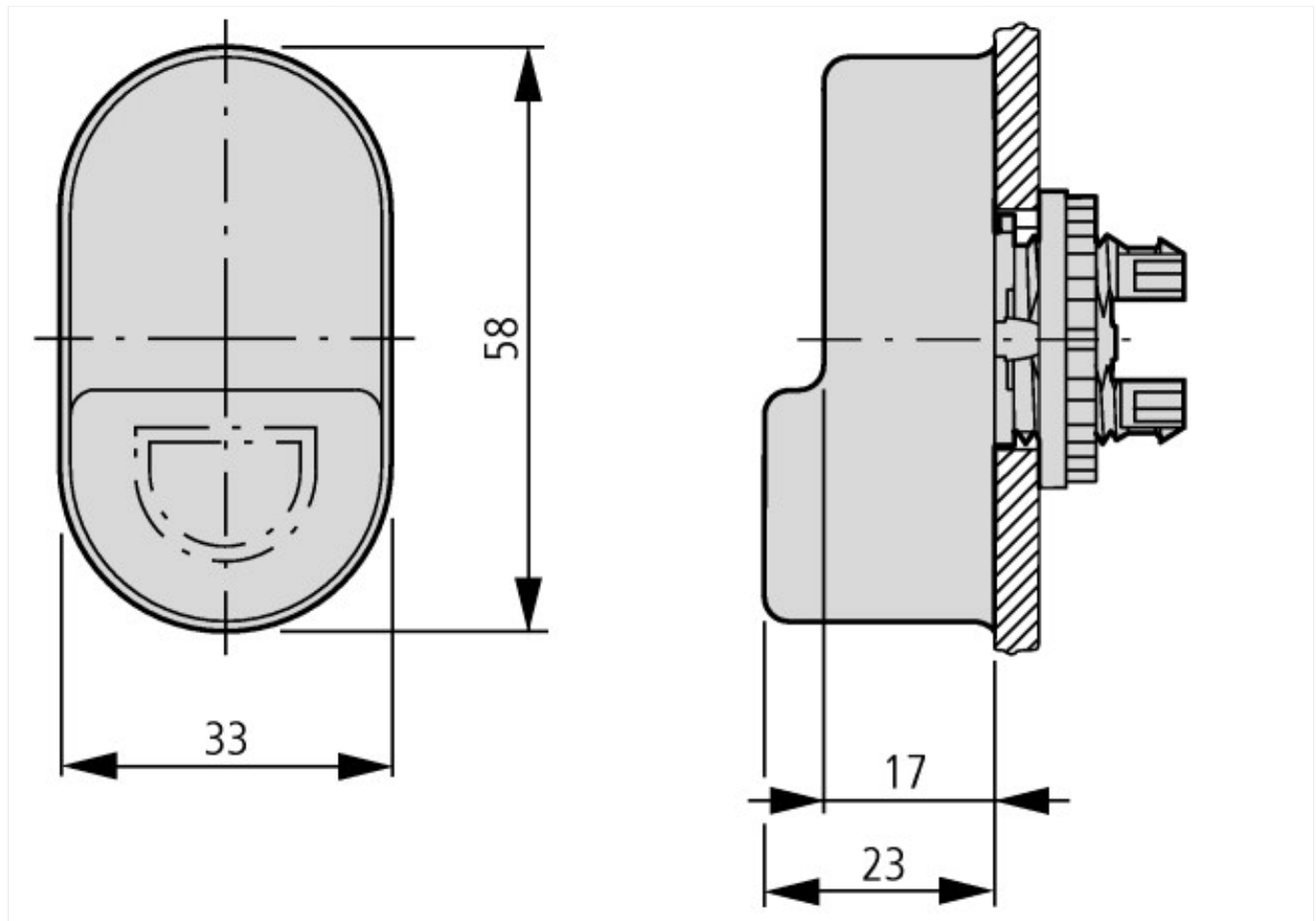
Approbationen

UL approval	Yes
CSA approval	Yes
NA Certification	Request filed for UL and CSA
Degree of Protection	UL/CSA Type 3R, 4X, 12, 13

Technical data ETIM 4.0

Color			Transparent
Form			Round

Dimensions



Additional product information (links)

IL04716002Z (AWA1160-1745) RMQ-Titan System	
IL04716002Z (AWA1160-1745) RMQ-Titan System	ftp://ftp.moeller.net/DOCUMENTATION/AWA_INSTRUCTIONS/IL04716002Z2011_03.pdf