

DECOSTAR 51 ECO

Halogen dichroic reflector lamps with diameter 51



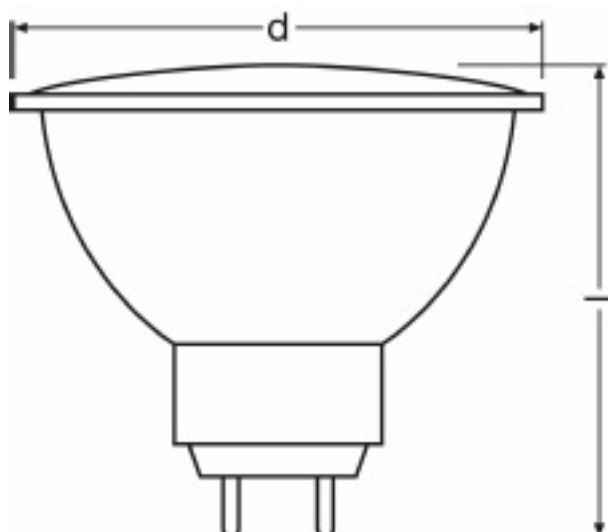
- General illumination
- Kitchen lighting
- Dining table lighting
- Mirror lighting
- Workplace lighting
- Shops
- Restaurants, hotels and similar prestigious applications

Product benefits

- Up to 30 % energy savings through IRC technology (comp. with conv. halogen lamps)
- Brilliant ECO accent lighting
- Significantly lower CO₂ emissions
- Constant luminous intensity and constant color location throughout
- Approved for use in open luminaires (to IEC 60598-1)
- UV filter
- Contains no mercury, can be thrown away with normal household waste

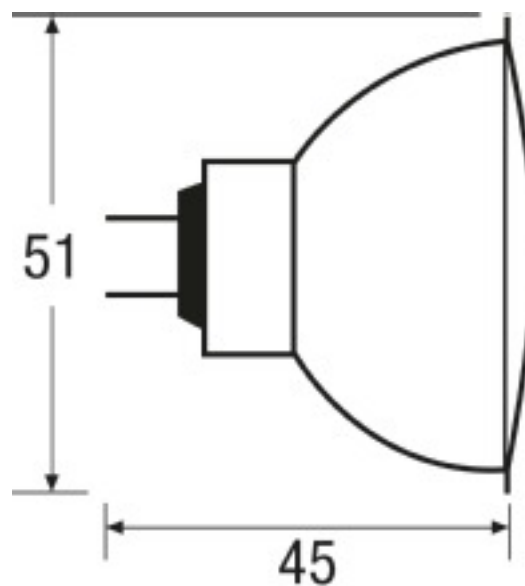
Product features

- Average life: 5,000 h
- Dimmable
- Color rendering index R_a: 100
- Base: GU5.3



Product line drawing with letters

14 W 12 V 10° GU5.3 | 14 W 12 V 36° GU5.3 | 20 W 12 V 24° GU5.3 | 14 W 12 V 36° GU5.3 | 35 W 12 V 36° GU5.3 | 25 W 12 V 36° GU5.3



Product line drawing with numbers

20 W 12 V 10° GU5.3 | 20 W 12 V 60° GU5.3 | 20 W 12 V 36° GU5.3 | 35 W 12 V 24° GU5.3 | 35 W 12 V 10° GU5.3 | 35 W 12 V 60° GU5.3 | 35 W 12 V 36° GU5.3 | 50 W 12 V 24° GU5.3 | 50 W 12 V 10° GU5.3 | 50 W 12 V 60° GU5.3



Base

20 W 12 V 24° GU5.3 | 20 W 12 V 10° GU5.3 | 20 W 12 V 60°
GU5.3 | 35 W 12 V 24° GU5.3 | 35 W 12 V 10° GU5.3 | 35 W
12 V 60° GU5.3 | 35 W 12 V 36° GU5.3 | 50 W 12 V 24°
— GU5.3 | 50 W 12 V 10° GU5.3 | 50 W 12 V 60° GU5.3

Technical data

Product description	Base (standard designation)	Rated wattage	Luminous intensity	Beam angle	Nominal wattage	Nominal voltage
14 W 12 V 10° GU5.3	GU5.3	14 W	2800 cd	10 °	14 W	12 V
14 W 12 V 36° GU5.3	GU5.3	14 W	480 cd	36 °	14 W	12 V
20 W 12 V 24° GU5.3	GU5.3	20 W	2000 cd	24 °	20 W	12 V
20 W 12 V 10° GU5.3	GU5.3	20 W	5500 cd	10 °	20 W	12 V
20 W 12 V 60° GU5.3	GU5.3	20 W	450 cd	60 °	20 W	12 V
20 W 12 V 36° GU5.3	GU5.3	20 W	1000 cd	36 °	20 W	12 V
35 W 12 V 24° GU5.3	GU5.3	35 W	4100 cd	24 °	35 W	12 V
35 W 12 V 10° GU5.3	GU5.3	35 W	11000 cd	10 °	35 W	12 V
35 W 12 V 60° GU5.3	GU5.3	35 W	1050 cd	60 °	35 W	12 V
35 W 12 V 36° GU5.3	GU5.3	35 W	2200 cd	36 °	35 W	12 V
50 W 12 V 24° GU5.3	GU5.3	50 W	5300 cd	24 °	50 W	12 V
50 W 12 V 10° GU5.3	GU5.3	50 W	15000 cd	10 °	50 W	12 V
50 W 12 V 60° GU5.3	GU5.3	50 W	1450 cd	60 °	50 W	12 V
14 W 12 V 36° GU5.3	GU5.3	14 W	480 cd	36 °	14 W	12 V
35 W 12 V 36° GU5.3	GU5.3	35 W	1450 cd	36 °	35 W	12 V
25 W 12 V 36° GU5.3	GU5.3	25 W	1000 cd	36 °	25 W	12 V

Product description	Nominal voltage	Nominal lamp life time	Rated lamp life time	Rated color temperature	Rated color rendering index Ra	Rated starting time
14 W 12 V 10° GU5.3	12 V	5000 h	5000 h	3000 K	100	0.0 s
14 W 12 V 36° GU5.3	12 V	5000 h	5000 h	3000 K	100	0.0 s
20 W 12 V 24° GU5.3	12 V	4000 h	4000 h	3000 K	100	0.0 s
20 W 12 V 10° GU5.3	12 V	4000 h	4000 h	3000 K	100	0.0 s
20 W 12 V 60° GU5.3	12 V	4000 h	4000 h	3000 K	100	0.0 s
20 W 12 V 36° GU5.3	12 V	4000 h	4000 h	3000 K	100	0.0 s
35 W 12 V 24° GU5.3	12 V	4000 h	4000 h	3000 K	100	0.0 s
35 W 12 V 10° GU5.3	12 V	4000 h	4000 h	3000 K	100	0.0 s
35 W 12 V 60° GU5.3	12 V	4000 h	4000 h	3000 K	100	0.0 s
35 W 12 V 36° GU5.3	12 V	4000 h	4000 h	3000 K	100	0.0 s
50 W 12 V 24° GU5.3	12 V	4000 h	4000 h	3000 K	100	0.0 s
50 W 12 V 10° GU5.3	12 V	4000 h	4000 h	3000 K	100	0.0 s
50 W 12 V 60° GU5.3	12 V	4000 h	4000 h	3000 K	100	0.0 s
14 W 12 V 36° GU5.3	12 V	4000 h	4000 h	2800 K	100	0.0 s
35 W 12 V 36° GU5.3	12 V	4000 h	4000 h	3000 K	100	0.0 s
25 W 12 V 36° GU5.3	12 V	4000 h	4000 h	2900 K	100	0.0 s

Product description	Rated starting time	Rated warm-up time (60 %)	Rated number of switching cycles	Rated lamp mercury content	Rated power factor λ	Overall length
---------------------	---------------------	---------------------------	----------------------------------	----------------------------	------------------------------	----------------

14 W 12 V 10° GU5.3	0.0 s	0 s	1000000 ¹⁾	0.0 mg	1.00	44.5 mm
14 W 12 V 36° GU5.3	0.0 s	0 s	1000000 ¹⁾	0.0 mg	1.00	44.5 mm
20 W 12 V 24° GU5.3	0.0 s	0 s	1000000 ¹⁾	0.0 mg	1.00	45.0 mm
20 W 12 V 10° GU5.3	0.0 s	0 s	1000000 ¹⁾	0.0 mg	1.00	45.0 mm
20 W 12 V 60° GU5.3	0.0 s	0 s	1000000 ¹⁾	0.0 mg	1.00	45.0 mm
20 W 12 V 36° GU5.3	0.0 s	0 s	1000000 ¹⁾	0.0 mg	1.00	45.0 mm
35 W 12 V 24° GU5.3	0.0 s	0 s	1000000 ¹⁾	0.0 mg	1.00	45.0 mm
35 W 12 V 10° GU5.3	0.0 s	0 s	1000000 ¹⁾	0.0 mg	1.00	45.0 mm
35 W 12 V 60° GU5.3	0.0 s	0 s	1000000 ¹⁾	0.0 mg	1.00	45.0 mm
35 W 12 V 36° GU5.3	0.0 s	0 s	1000000 ¹⁾	0.0 mg	1.00	45.0 mm
50 W 12 V 24° GU5.3	0.0 s	0 s	1000000 ¹⁾	0.0 mg	1.00	45.0 mm
50 W 12 V 10° GU5.3	0.0 s	0 s	1000000 ¹⁾	0.0 mg	1.00	45.0 mm
50 W 12 V 60° GU5.3	0.0 s	0 s	1000000 ¹⁾	0.0 mg	1.00	45.0 mm
14 W 12 V 36° GU5.3	0.0 s	0 s	1000000 ¹⁾	0.0 mg	1.00	45.0 mm
35 W 12 V 36° GU5.3	0.0 s	0 s	1000000 ¹⁾	0.0 mg	1.00	45.0 mm
25 W 12 V 36° GU5.3	0.0 s	0 s	1000000 ¹⁾	0.0 mg	1.00	45.0 mm

Product description	Overall length	Diameter	Dimmable	Burning position	ILCOS	Lumen main.fact.at end of nom.life time
14 W 12 V 10° GU5.3	44.5 mm	50.7 mm	Yes	Any	HRGS//UBIB14-12-GU5,3-51/10	0.80
14 W 12 V 36° GU5.3	44.5 mm	50.7 mm	Yes	Any	HRGS//UB-14-12-GU5,3-51/36	0.80

20 W 12 V 24° GU5.3	45.0 mm	51.0 mm	Yes	Any	HRGS//UBIB-20-12-GU5,3-51/24	0.80
20 W 12 V 10° GU5.3	45.0 mm	51.0 mm	Yes	Any	HRGS//UBIB-20-12-GU5,3-51/10	0.80
20 W 12 V 60° GU5.3	45.0 mm	51.0 mm	Yes	Any	HRGS//UBIB-20-12-GU5,3-51/60	0.80
20 W 12 V 36° GU5.3	45.0 mm	51.0 mm	Yes	Any	HRGS//UBIB-20-12-GU5,3-51/36	0.80
35 W 12 V 24° GU5.3	45.0 mm	51.0 mm	Yes	Any	HRGS//UBIB-35-12-GU5,3-51/24	0.80
35 W 12 V 10° GU5.3	45.0 mm	50.0 mm	Yes	Any	HRGS//UBIB-35-12-GU5,3-51/10	0.80
35 W 12 V 60° GU5.3	45.0 mm	51.0 mm	Yes	Any	HRGS//UBIB-35-12-GU5,3-51/60	0.80
35 W 12 V 36° GU5.3	45.0 mm	51.0 mm	Yes	Any	HRGS//UBIB-35-12-GU5,3-51/36	0.80
50 W 12 V 24° GU5.3	45.0 mm	51.0 mm	Yes	Any	HRGS//UBIB-50-12-GU5,3-51/24	0.80
50 W 12 V 10° GU5.3	45.0 mm	51.0 mm	Yes	Any	HRGS//UBIB-50-12-GU5,3-51/10	0.80
50 W 12 V 60° GU5.3	45.0 mm	51.0 mm	Yes	Any	HRGS//UBIB-50-12-GU5,3-51/60	0.80
14 W 12 V 36° GU5.3	45.0 mm	50.7 mm	Yes	Any	HRGS//UB-14-12-GU5,3-51/36	0.80
35 W 12 V 36° GU5.3	45.0 mm	50.7 mm	Yes	Any	HRGS//UB-35-12-GU5,3-51/36	0.80

25 W 12 V 36° GU5.3	45.0 mm	50.7 mm	Yes	Any	HRGS//UBIB-25-12-GU5,3- 51/36	0.80
---------------------	---------	---------	-----	-----	----------------------------------	------

¹⁾ At 1 s on / 1 s off

Application advice

For more detailed application information and graphics please see product datasheet.

References / Links

For light distribution curves see

▶ www.osram.com

Disclaimer

Subject to change without notice. Errors and omission excepted. Always make sure to use the most recent release.