



MASTER LEDspot PAR

MASTER LEDspot D 12-75W 2700K PAR30S

With its robust design and warm-white beam of light, these new-generation PAR lamps are ideal for general lighting and spot lighting in the hospitality industry. There is a choice of dimmable and non-dimmable versions. They are especially suitable for public areas such as lobbies, corridors, stairwells, where the light is always on. Compatible with existing fixtures with an E27 holder and designed for retrofit replacement of halogen/incandescent lamps, MASTER LEDspot PAR deliver huge energy savings and minimize maintenance cost without any reduction in brightness. The IP44-rated outdoor version of the PAR 38 lamp is one of the few energy-saving alternatives to incandescent PAR38 outdoor lamps available today. The dimmable PAR 20 is a perfect replacement for an incandescent spot.

Product data

• General Characteristics

Cap-Base	E27
Bulb	PAR30S [PAR30S mm]
Average Lifetime	45000 hr

• Light Technical Characteristics

Color Code	WW
Color Designation (text)	Warm White
Beam Angle	25 D
Beam Description	- [-]
Correlated Color Temperature	2700 K
Luminous Intensity	2250 cd
Color rendering index	80
Color Temperature	2700 K [CCT 2700K]

• Electrical Characteristics

Wattage	12 W
Wattage Technical	12.0 W
Voltage	230 V
Line Frequency	50-60 Hz
Power Factor	0.8 -
Lamp Current mA	60 mA
Dimmable	Yes

• Measuring Conditions

Switching cycle	50000x
-----------------	--------

• Product Dimensions

Diameter D	92 mm
Overall Length C	91 mm

• Product Data

Order code	929000197302
Full product code	929000197302
Full product name	MASTER LEDspot D 12-75W 2700K PAR30S
Order product name	MASTER LEDspot D 12-75W 2700K PAR30S
Pieces per pack	1
Packing configuration	6
Packs per outerbox	6
Bar code on pack - EAN1	8718291119272
Bar code on outerbox - EAN3	8718291119289
Logistic code(s) - 12NC	929000197302
Net weight per piece	0.321 kg

Dimensional drawing

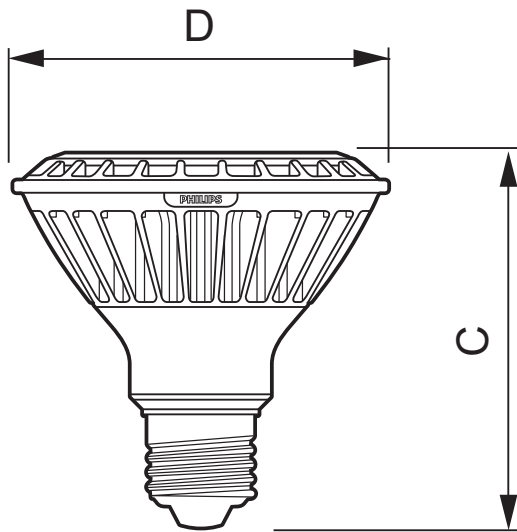


PHILIPS

sense and simplicity

MASTER LEDspot PAR

Dimensional drawing



E27

12-75W, E27, PAR30S, 2700K, dimmable

Product	C (Norm)	D (Norm)
LED D 12-75W E27 WW 2700K 230V PAR30S	91	92



© 2012 Koninklijke Philips Electronics N.V.
All rights reserved.

Specifications are subject to change without notice. Trademarks are the property of Koninklijke Philips Electronics N.V. or their respective owners.

www.philips.com/lighting

2012, August 4
data subject to change