

MASTER LEDspot LV

MASTER LEDspotLV D 10-50W 2700K MR16 24D



Delivering a warm, halogen-like accent beam, MASTER LEDspot LV is an ideal retrofit solution for spot and general lighting applications in the hospitality industry. It is particularly suited to public areas such as receptions, lobbies, corridors, stairwells and washrooms, where the light is on all the time. The robustly designed MASTER LEDspot offers a choice of beam angles for a clearly defined beam spread. There is no UV or IR in the beam, making it suitable for illuminating heat-sensitive objects (food, organic materials, paintings, etc.). Innovative active cooling technology - thanks to the fan inside - results in maximum performance of the lamp. The patented intelligent driver enables broad compatibility with existing electromagnetic and electronic halogen transformers. The dimmable versions drive further efficiencies, while helping to create the desired atmosphere.

Product data

• General Characteristics

Cap-Base	GU5.3
Bulb	MR16 [MR 16inch/50mm]
Average Lifetime	25000 hr

• Light Technical Characteristics

Color Code	WW
Color Designation (text)	Warm White
Beam Angle	24 D
Correlated Color Temperature	2700 K
Luminous Intensity	1700 cd
Color rendering index	80
Color Temperature	2700 K [CCT 2700K]

• Electrical Characteristics

Wattage	10 W
Wattage Technical	10.0 W
Voltage	12 V
Line Frequency	50-60 Hz
Power Factor	0.8 -
Lamp Current mA	980 mA

Dimmable Yes

• Product Dimensions

Diameter D	50 mm
Overall Length C	53.7 mm

• Product Data

Order code	929000174102
Full product code	929000174102
Full product name	MASTER LEDspotLV D 10-50W 2700K MR16 24D
Order product name	MASTER LEDspotLV D 10-50W 2700K MR16 24D
Pieces per pack	1
Packing configuration	10
Packs per outerbox	10
Bar code on pack - EAN1	8727900934403
Bar code on outerbox - EAN3	8727900934410
Logistic code(s) - 12NC	929000174102
Net weight per piece	0.045 kg

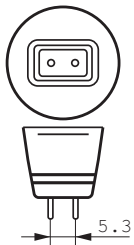
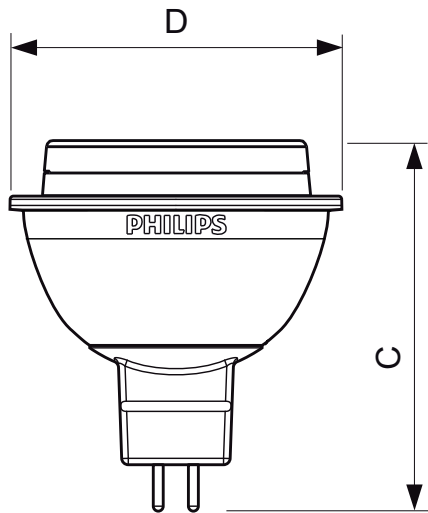
Dimensional drawing



PHILIPS

sense and simplicity

Dimensional drawing



GU5.3

7W/10W, GU5.3, MR16

Product	C (Norm)	D (Norm)
LED 10W GU5.3 VVV 2700K 12V MR16 24D Dimm	53.7	50



© 2012 Koninklijke Philips Electronics N.V.
All rights reserved.

Specifications are subject to change without notice. Trademarks are the property of Koninklijke Philips Electronics N.V. or their respective owners.

www.philips.com/lighting

2012, August 4
data subject to change