

Surface mounting enclosure



Powering Business Worldwide™

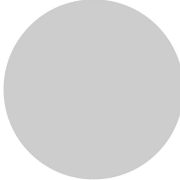
Part no. M22-I2

Article no. 216537

With high-grade steel screws, Enclosure base: anthracite (RAL 9005)

M22-I6 with protection type IP66

Delivery programme

Product range			RMQ-Titan (drilling dimensions 22.5 mm)
Basic function			Accessories
Basic function accessories			Surface mounting enclosure
Single unit/Complete unit			Single unit
			With high-grade steel screws
Number of locations		Qty.	2
Cable entry knockouts			
Cable entry			at bottom: 2 x M20 at top: 1 x M20 lateral: 2 x M20/M25 (1 x each side)
Colour			
RAL Value			RAL 7035
Colour			Enclosure base anthracite
Protection type			IP67, IP69K
Connection to SmartWire-DT			no

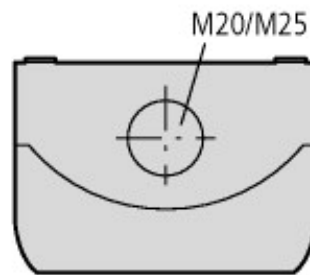
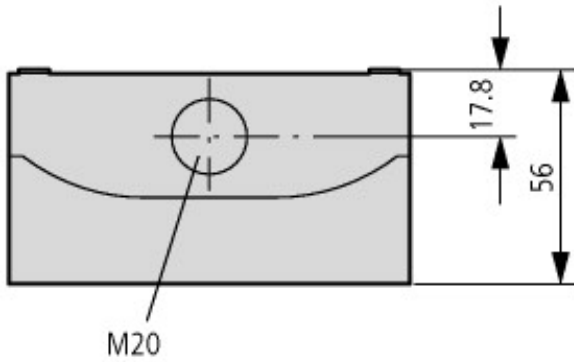
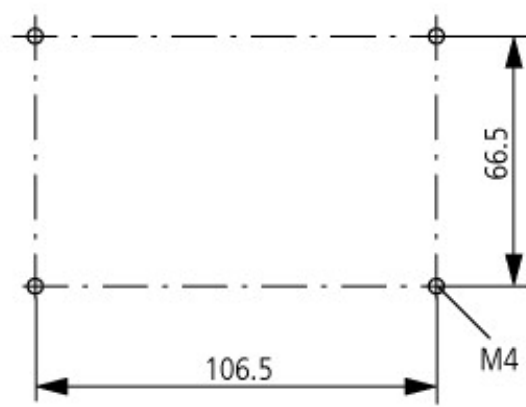
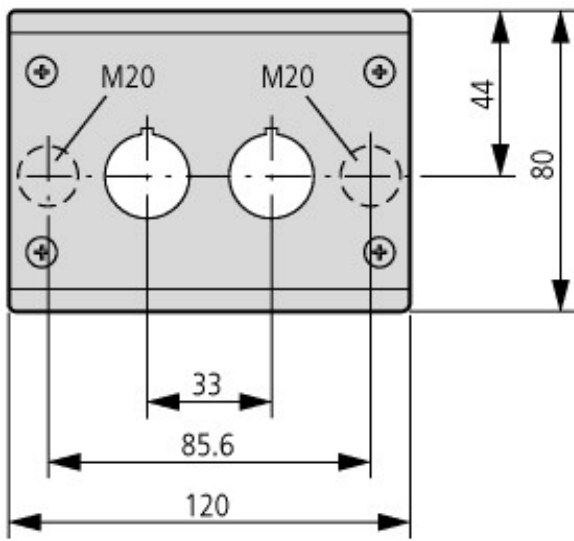
Approbationen

UL approval	Yes
CSA approval	Yes
Product Standards	IEC/EN 60947-5; UL 508; CSA-C22.2 No. 14-05; CSA-C22.2 No. 94-91; CE marking
UL File No.	E29184
UL CCN	NKCR
CSA File No.	012528
CSA Class No.	3211-03
NA Certification	UL listed, CSA certified
Degree of Protection	UL/CSA Type 3R, 4X, 12, 13

Technical data ETIM 4.0

Protection type (IP)			IP67
Number of locations			2
Color housing cover			gray
Openings diameter		mm	22
Housing material			Insulated material
Construction type housing			surface mounting enclosure

Dimensions



Premoulded cable entry: bottom 2 x M20, top: 1 x M20, side: 2 x M20/M25 (per side 1 x)

Additional product information (links)

IL04716003Z (AWA1160-1746) RMQ-Titan System

IL04716003Z (AWA1160-1746) RMQ-Titan System

ftp://ftp.moeller.net/DOCUMENTATION/AWA_INSTRUCTIONS/IL04716003Z2011_02.pdf