



Surface mounting enclosure

Part no. M22-IY1

Article no. 216536

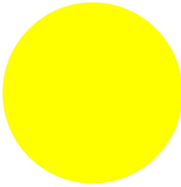


Powering Business Worldwide™

With high-grade steel screws, Enclosure base: anthracite (RAL 9005)

M22-I6 with protection type IP66

Delivery programme

| | | | |
|----------------------------|--|------|---|
| Product range | | | RMQ-Titan (drilling dimensions 22.5 mm) |
| Basic function | | | Accessories |
| Basic function accessories | | | Surface mounting enclosure |
| Single unit/Complete unit | | | Single unit |
| | | | With high-grade steel screws |
| Number of locations | | Qty. | 1 |
| Cable entry knockouts | | | |
| Cable entry | | | at bottom: 2 x M16 at top: 1 x M20 lateral: 2 x M20/M25 (1 x each side) |
| Colour | | | |
| | | |  |
| RAL Value | | | RAL 1004 |
| Colour | | | Enclosure base anthracite |
| Protection type | | | IP67, IP69K |
| Connection to SmartWire-DT | | | no |

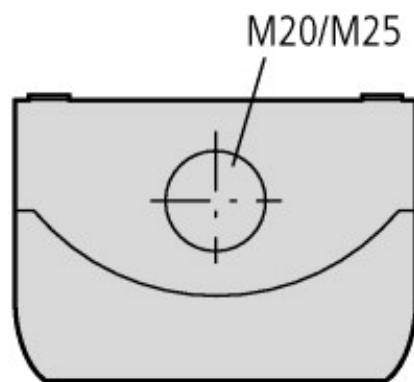
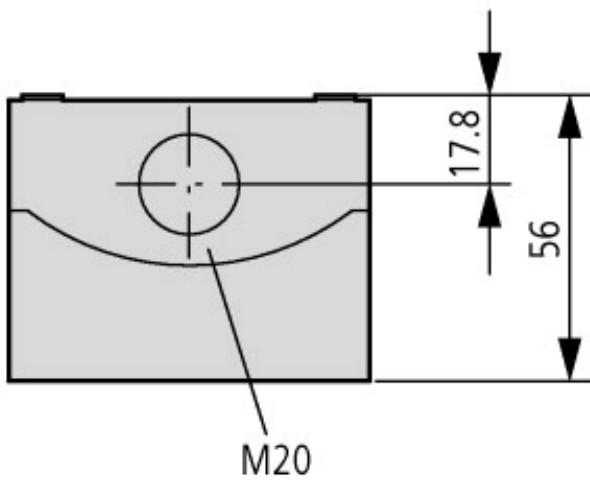
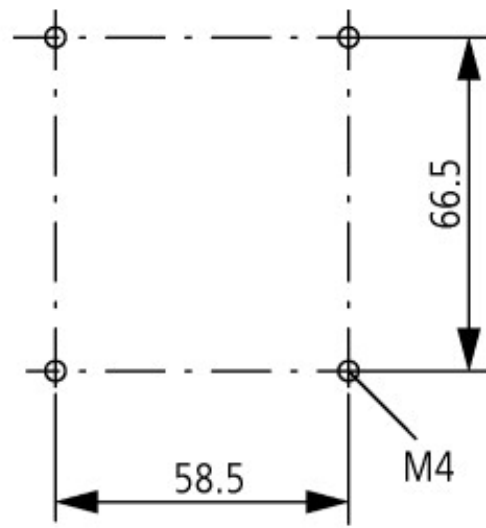
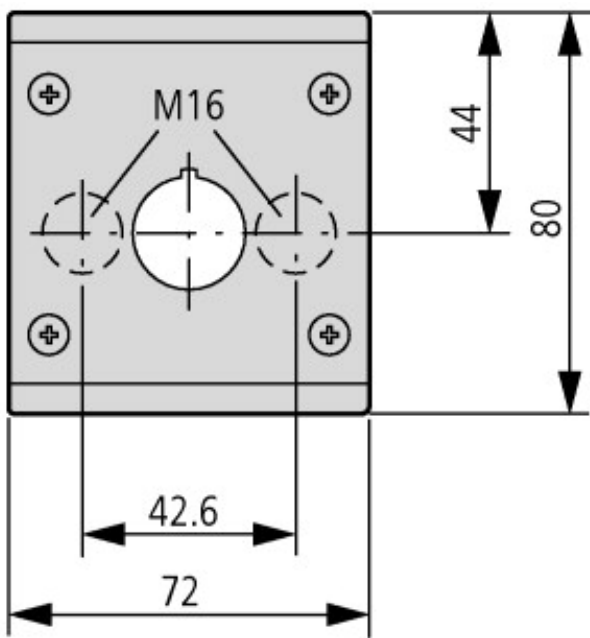
Approbationen

| | |
|----------------------|--|
| UL approval | Yes |
| CSA approval | Yes |
| Product Standards | IEC/EN 60947-5; UL 508; CSA-C22.2 No. 14-05; CSA-C22.2 No. 94-91; CE marking |
| UL File No. | E29184 |
| UL CCN | NKCR |
| CSA File No. | 012528 |
| CSA Class No. | 3211-03 |
| NA Certification | UL listed, CSA certified |
| Degree of Protection | UL/CSA Type 3R, 4X, 12, 13 |

Technical data ETIM 4.0

| | | | |
|---------------------------|--|----|----------------------------|
| Protection type (IP) | | | IP67 |
| Number of locations | | | 1 |
| Color housing cover | | | gray |
| Openings diameter | | mm | 22 |
| Housing material | | | Insulated material |
| Construction type housing | | | surface mounting enclosure |

Dimensions



Premoulded cable entry: bottom 2 x M16, top: 1 x M20, side: 2 x M20/M25 (per side 1 x)

Additional product information (links)

IL04716003Z (AWA1160-1746) RMQ-Titan System

IL04716003Z (AWA1160-1746) RMQ-Titan System

ftp://ftp.moeller.net/DOCUMENTATION/AWA_INSTRUCTIONS/IL04716003Z2011_02.pdf